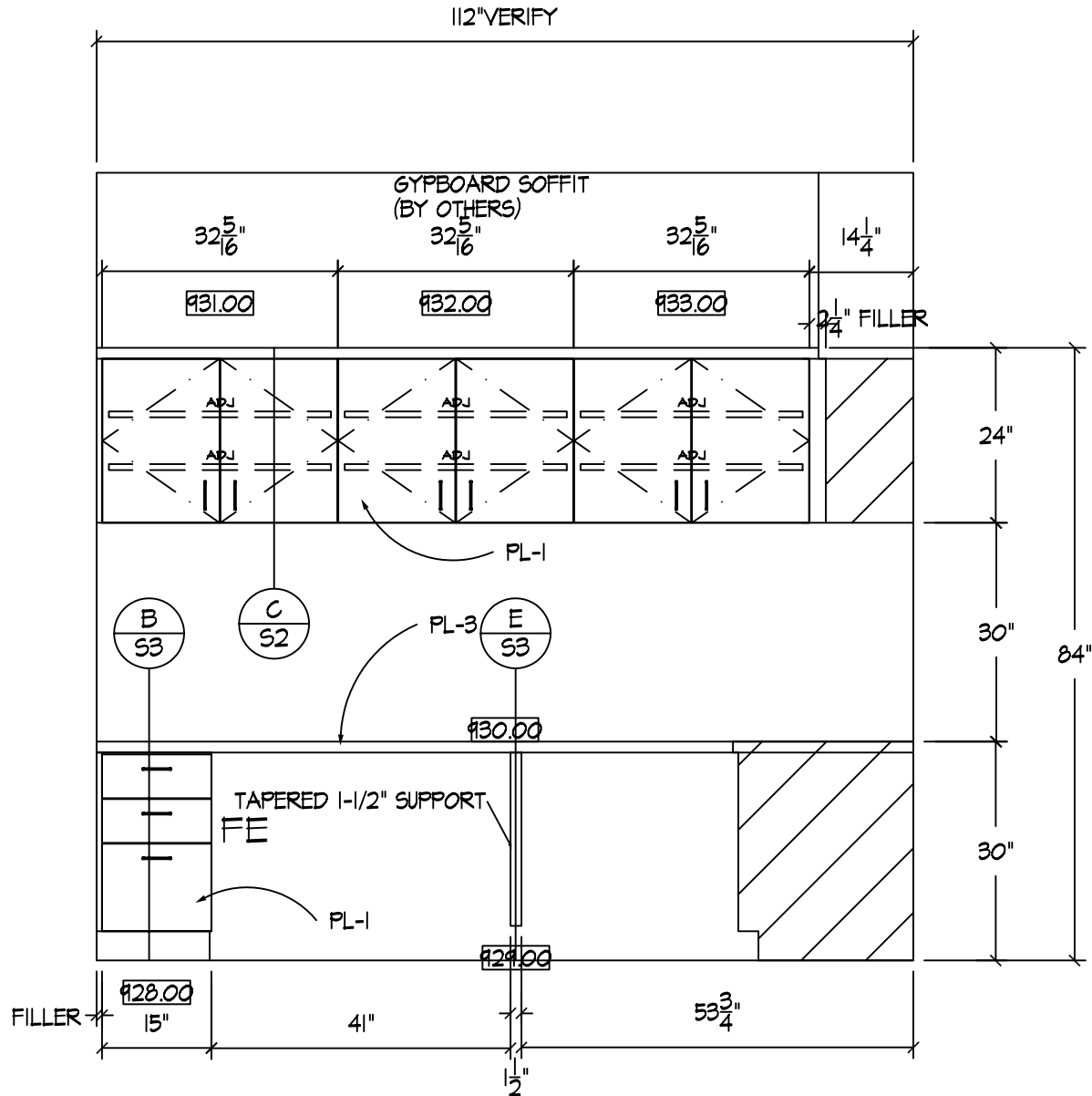


ELEVATION @ RM# OP200 NURSE STATION /CHARTING

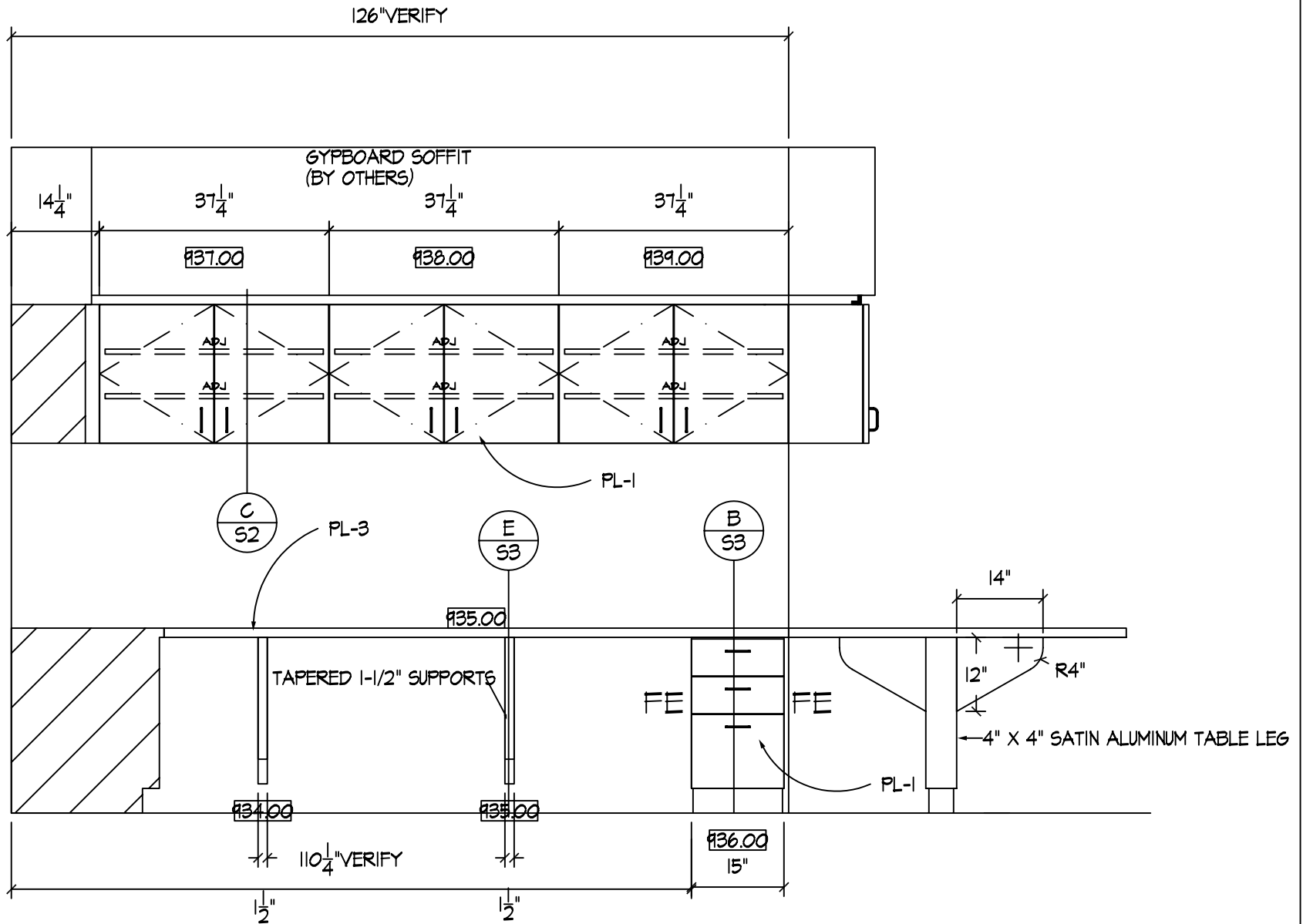
SCALE: 1/2"= 1'

Drawn by CCC	Designer or Architect	Checked by Your Manager	Revision - date 00/00/00	File name PV-E69	Date 00/00/00
Your Company Name			Project Name Here		
			PLAN VIEW	Sheet 1 OF 16	Scale 3/8=1'



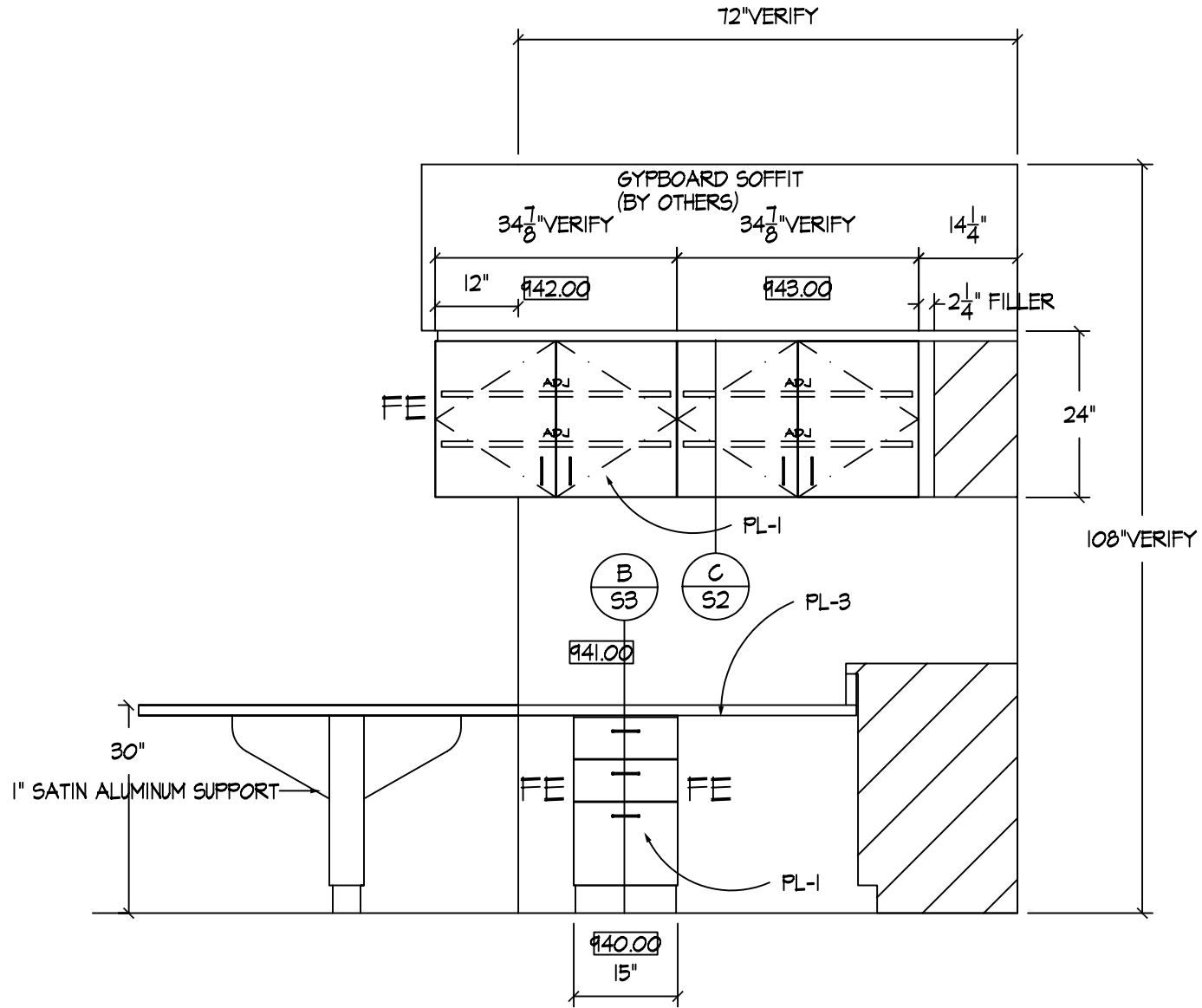
**A**  
E69 **ELEVATION @ RM# OP200 NURSE STATION /CHARTING**  
SCALE: 1/2" = 1' ARCH REF: A/A9.08

Drawn by CCC	Designer or Architect	Checked by Your Manager	Revision - date 00/00/00	File name A-E69	Date 00/00/00
Your Company Name			Project Name Here		
			ELEVATIONS	Sheet 2 OF 16	Scale 1/2"=1'



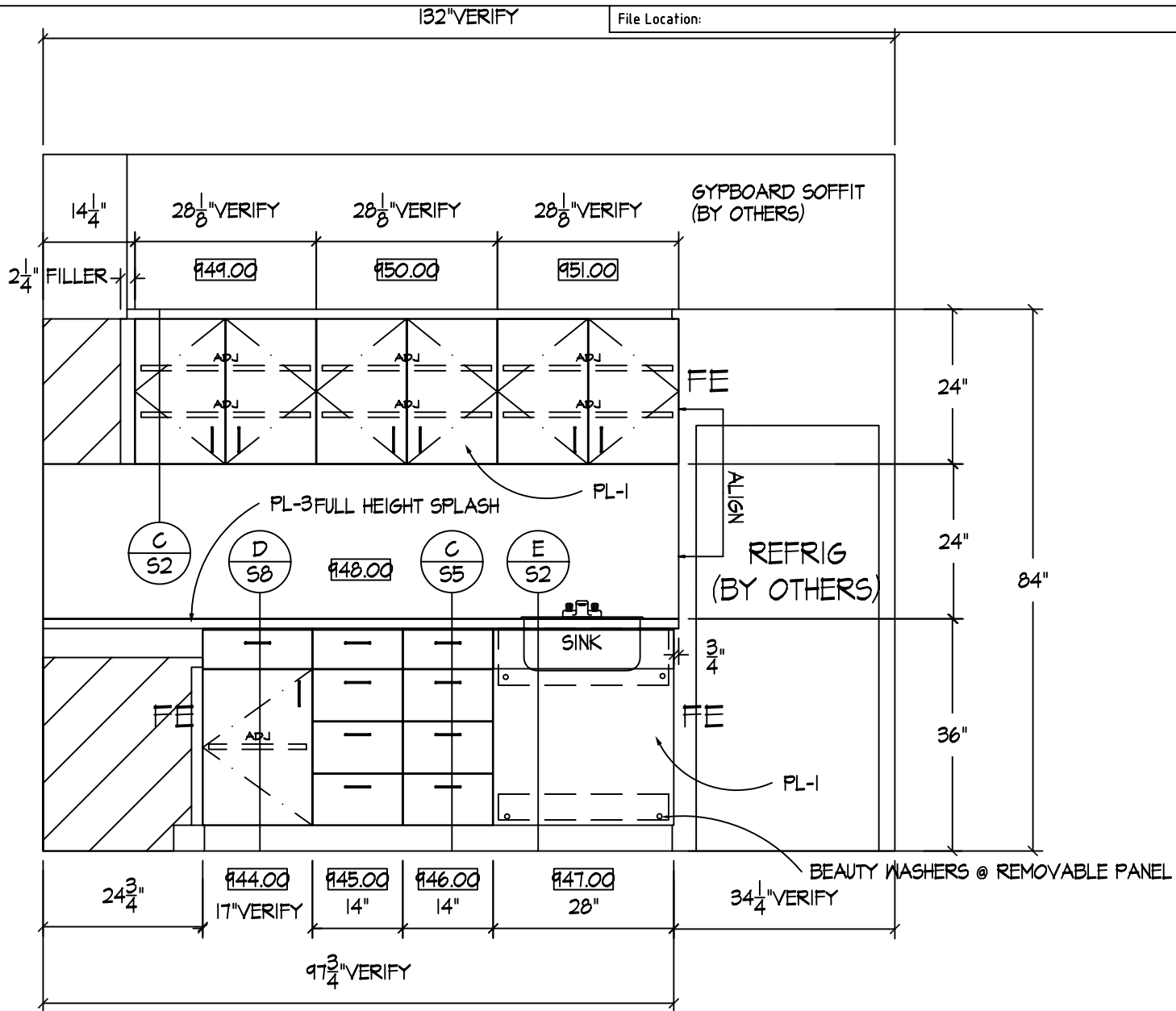
**B**  
E69 **ELEVATION @ RM# OP200 NURSE STATION /CHARTING**  
SCALE: 1/2" = 1' ARCH REF: B/A9.08

Drawn by CCC	Designer or Architect	Checked by Your Manager	Revision - date 00/00/00	File name B-E69	Date 00/00/00
Your Company Name			Project Name Here		
			ELEVATIONS	Sheet 3 OF 16	Scale 1/2"=1'



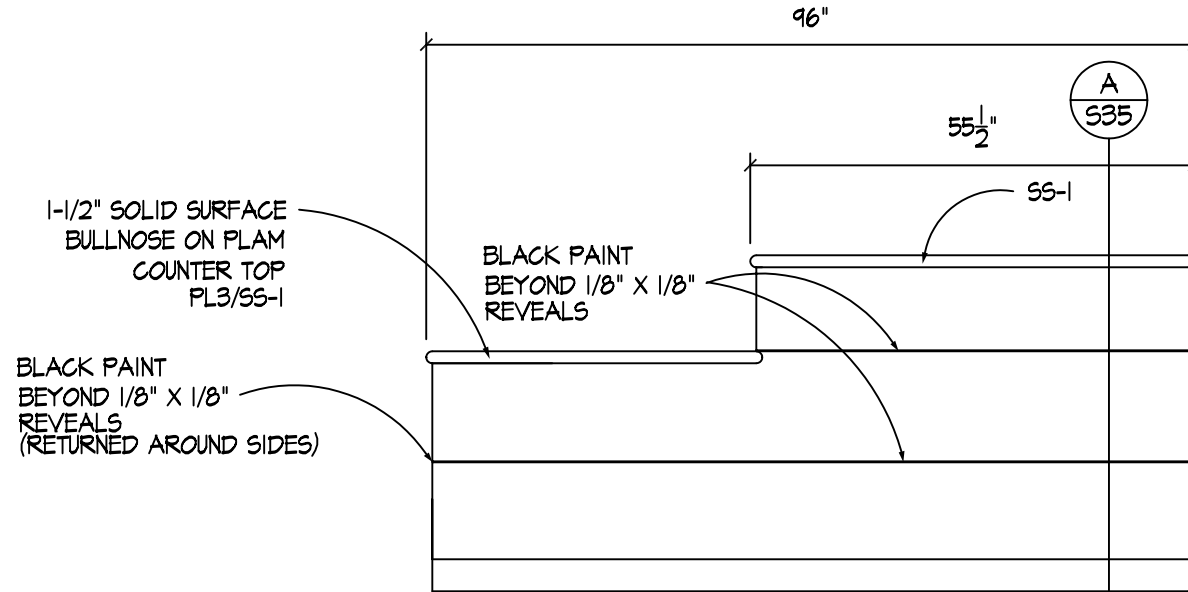
**ELEVATION @ RM# OP200 NURSE STATION /CHARTING**  
 SCALE: 1/2" = 1'      ARCH REF: C/A9.08

Drawn by CCC	Designer or Architect	Checked by Your Manager	Revision - date 00/00/00	File name C-E69	Date 00/00/00
Your Company Name			Project Name Here		
			ELEVATIONS	Sheet 4 OF 16	Scale 1/2"=1'



D
E69
**ELEVATION @ RM# OP200 NURSE STATION /CHARTING**  
 SCALE: 1/2" = 1'      ARCH REF: D/A9.08

Drawn by CCC	Designer or Architect	Checked by Your Manager	Revision - date 00/00/00	File name D-E69	Date 00/00/00
Your Company Name			Project Name Here		
			ELEVATIONS	Sheet 5 OF 16	Scale 1/2"=1'

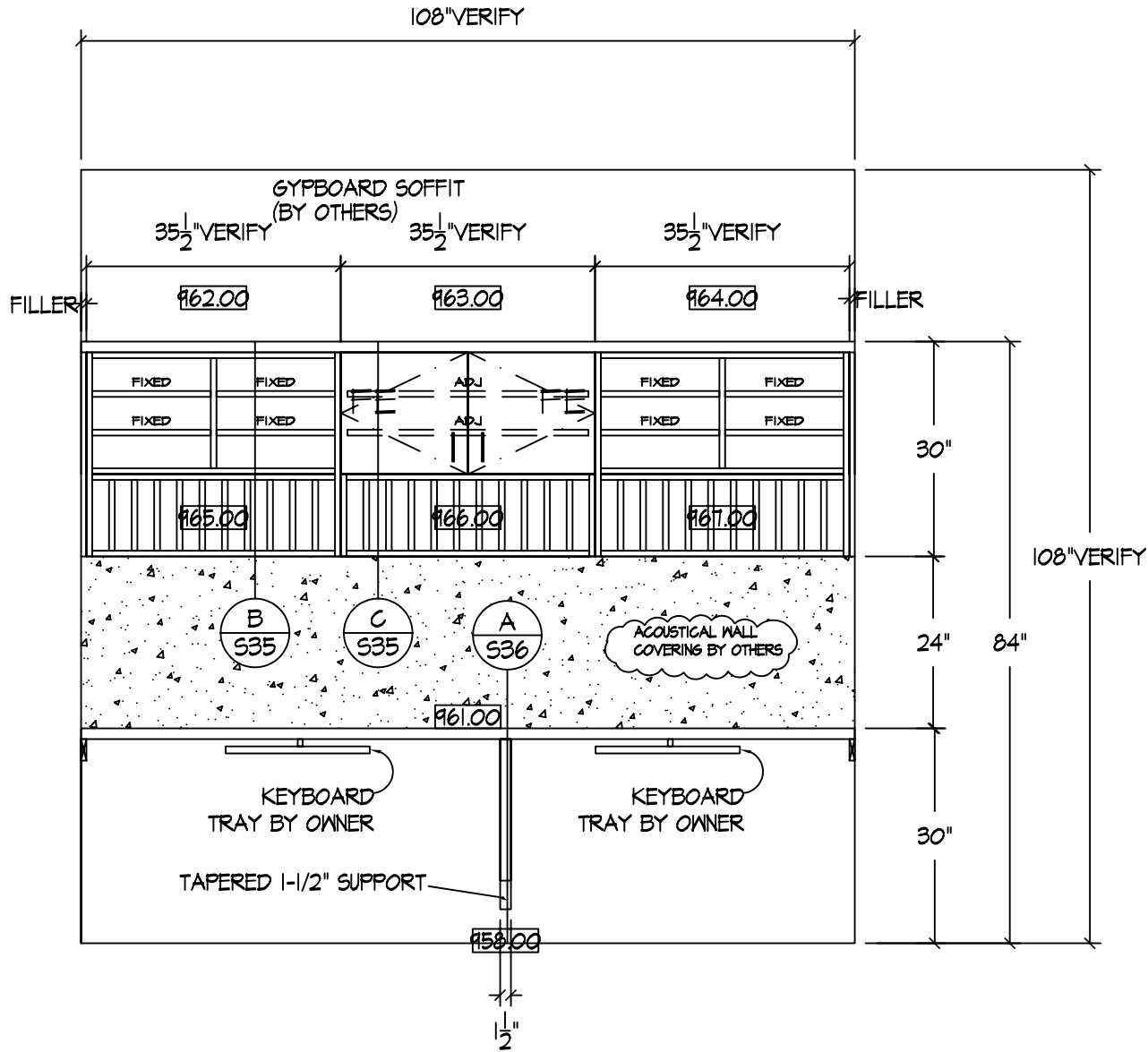


F  
E69

**ELEVATION @ RM# OP200 NURSE STATION /CHARTING**

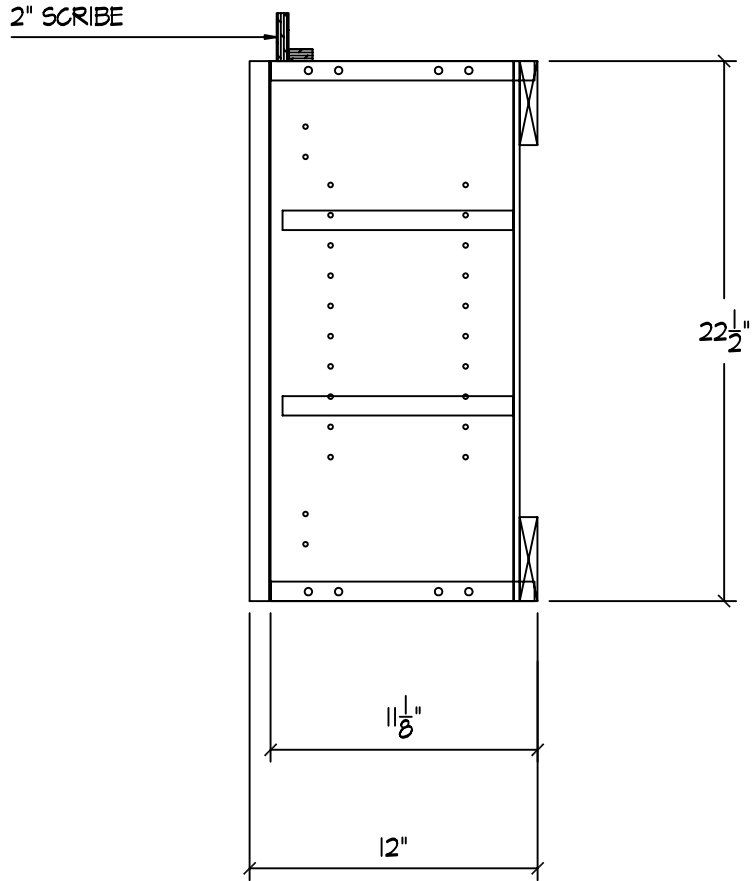
SCALE: 1/2" = 1' ARCH REF: F/A9.08

Drawn by CCC	Designer or Architect	Checked by Your Manager	Revision - date 00/00/00	File name F-E69	Date 00/00/00
Your Company Name			Project Name Here		
			ELEVATIONS	Sheet 7 OF 16	Scale 1/2"=1'



**ELEVATION @ RM# OP200 NURSE STATION /CHARTING**  
 SCALE: 1/2" = 1' ARCH REF: G/A9.08

Drawn by CCC	Designer or Architect	Checked by Your Manager	Revision - date 00/00/00	File name G-E69	Date 00/00/00
Your Company Name			Project Name Here		
			ELEVATIONS	Sheet 8 OF 16	Scale 1/2"=1'

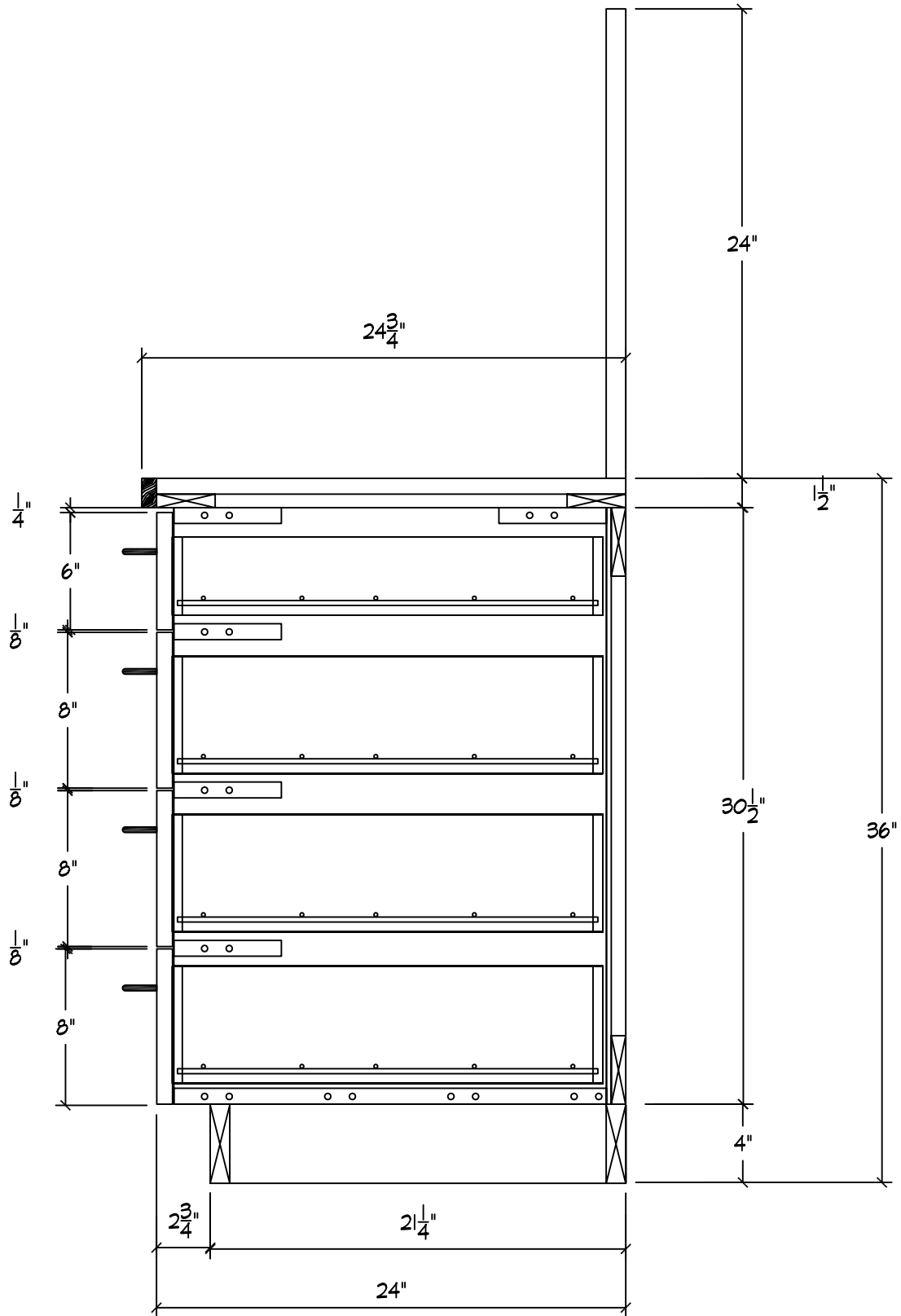


C  
52

SECTION

1-1/2" = 1'-0"

Drawn by CCC	Designer or Architect	Checked by Your Manager	Revision - date 00/00/00	File name C-S2	Date 00/00/00
Your Company Name			Project Name Here		
			SECTIONS	Sheet 9 OF 16	Scale 1-1/2"=1'

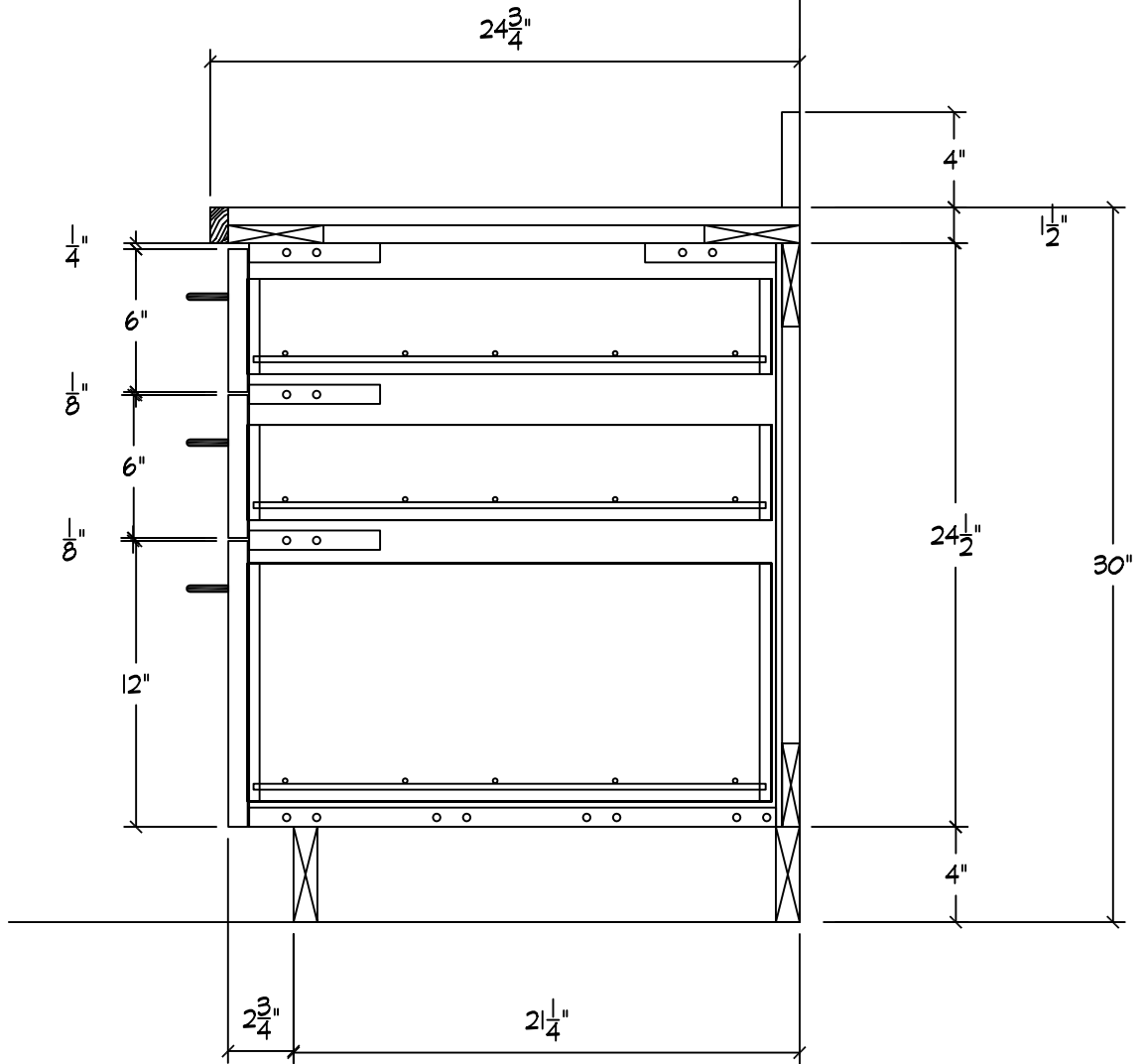


C  
S5

SECTION

1-1/2" = 1'-0"

Drawn by CCC	Designer or Architect	Checked by Your Manager	Revision - date 00/00/00	File name C-S5	Date 00/00/00
Your Company Name			Project Name Here		
			SECTIONS	Sheet 11 OF 16	Scale 1-1/2"=1'

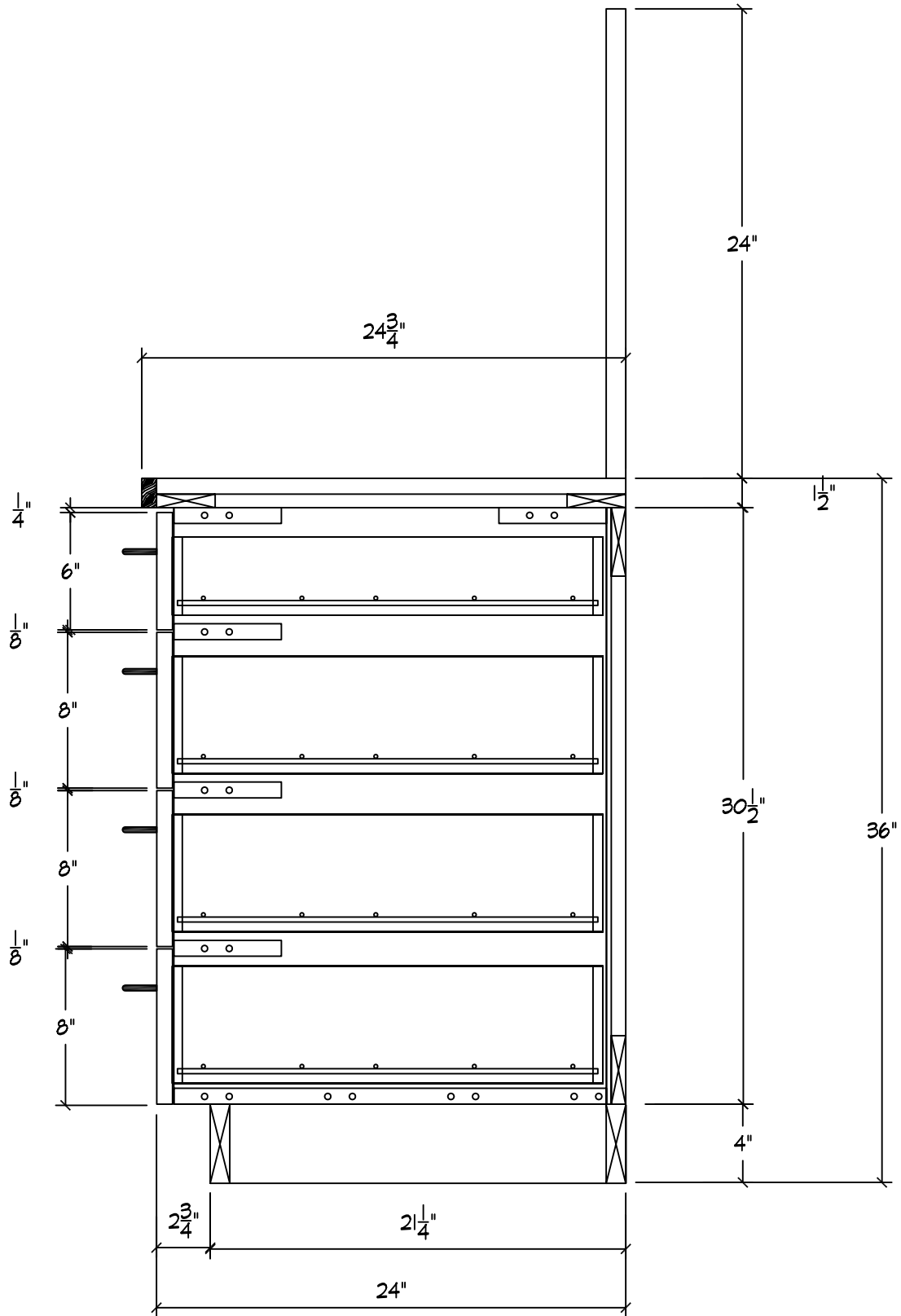


B  
S3

**SECTION**

1-1/2" = 1'-0"

Drawn by CCC	Designer or Architect	Checked by Your Manager	Revision - date 00/00/00	File name B-S3	Date 00/00/00
Your Company Name			Project Name Here		
			SECTIONS	Sheet 10 OF 16	Scale 1-1/2"=1'

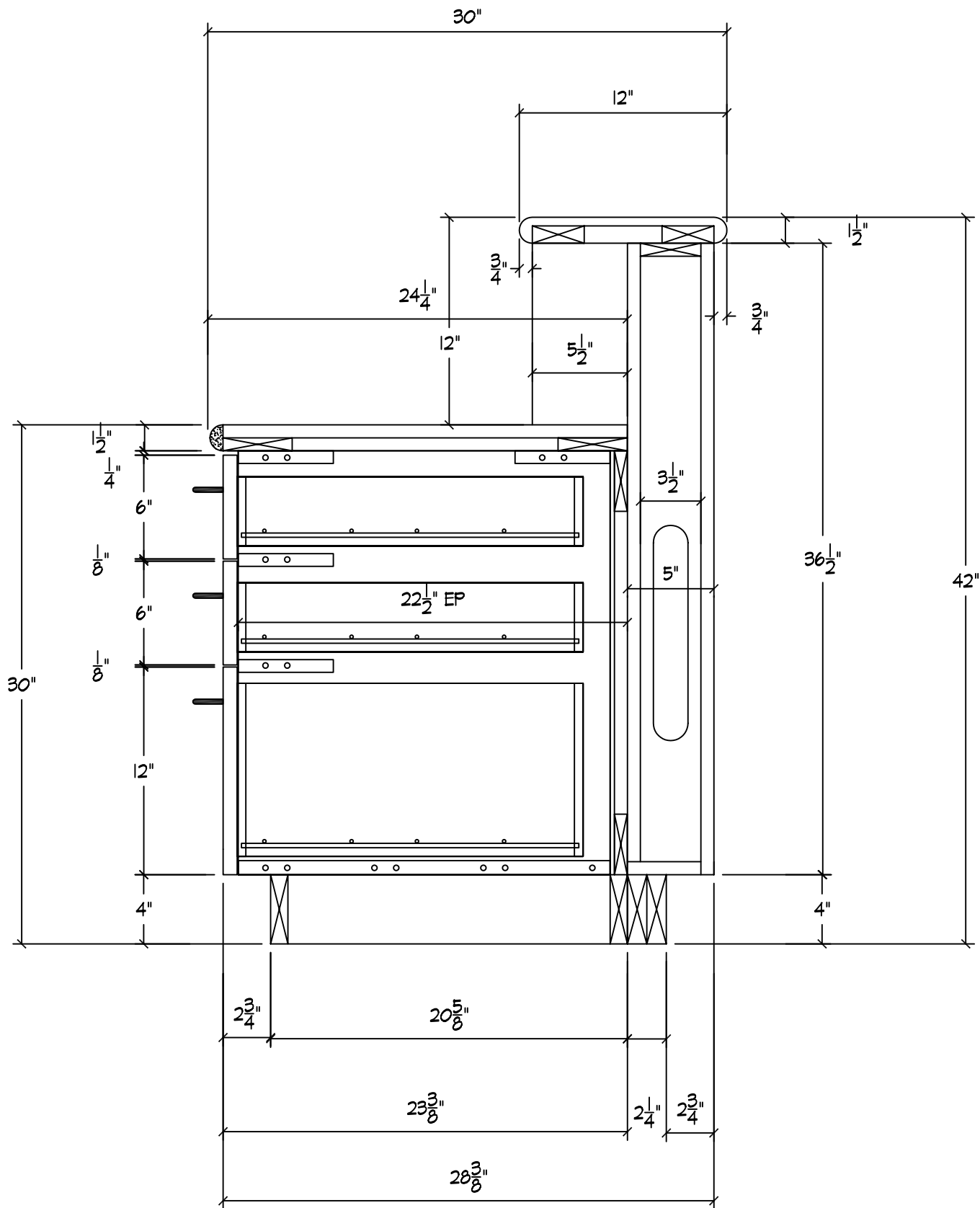


C  
S5

SECTION

1-1/2" = 1'-0"

Drawn by CCC	Designer or Architect	Checked by Your Manager	Revision - date 00/00/00	File name C-S5	Date 00/00/00
Your Company Name			Project Name Here		
			SECTIONS	Sheet 11 OF 16	Scale 1-1/2"=1'

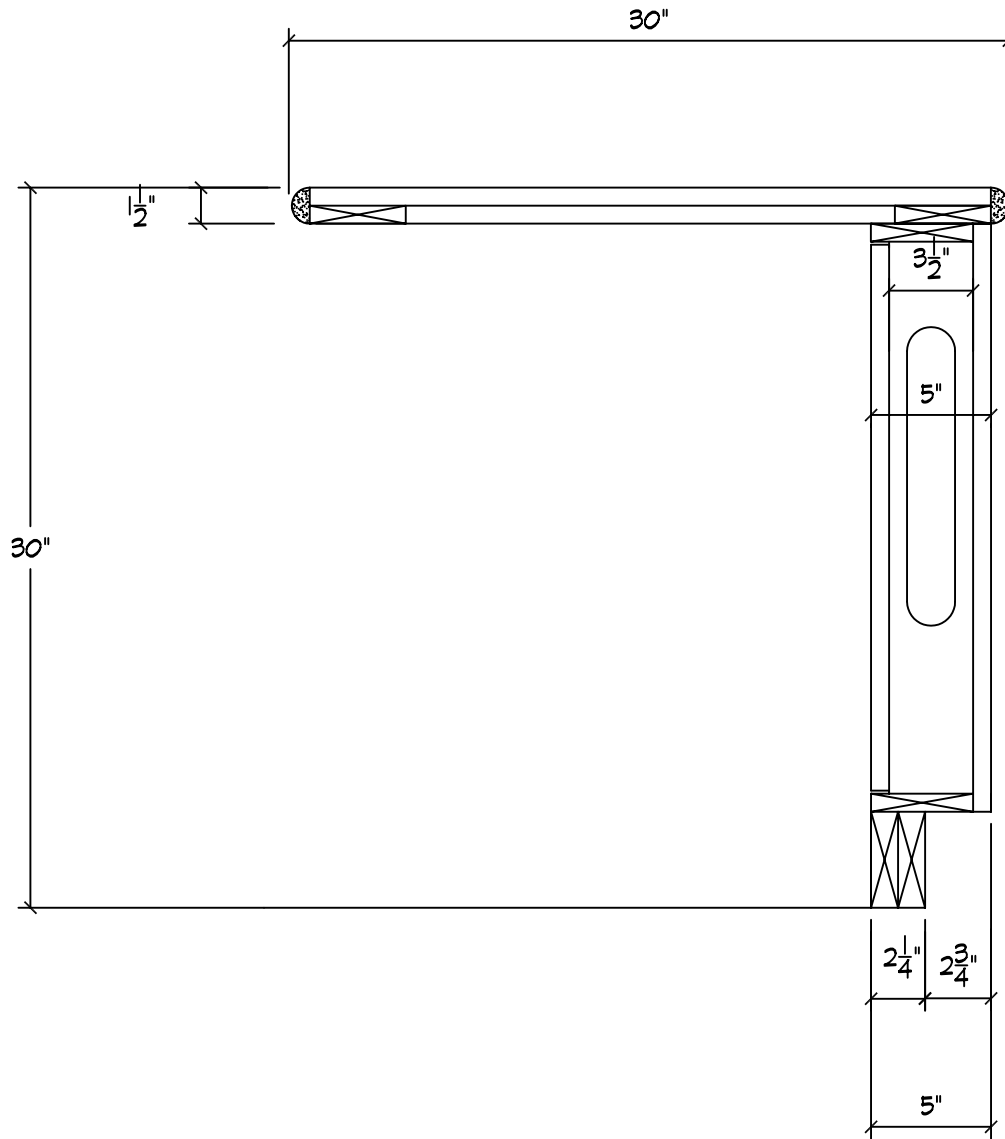


A  
535

**SECTION**

1-1/2" = 1'-0"

Drawn by CCC	Designer or Architect	Checked by Your Manager	Revision - date 00/00/00	File name A-S35	Date 00/00/00
Your Company Name			Project Name Here		
			SECTIONS	Sheet 12 OF 16	Scale 1-1/2"=1'

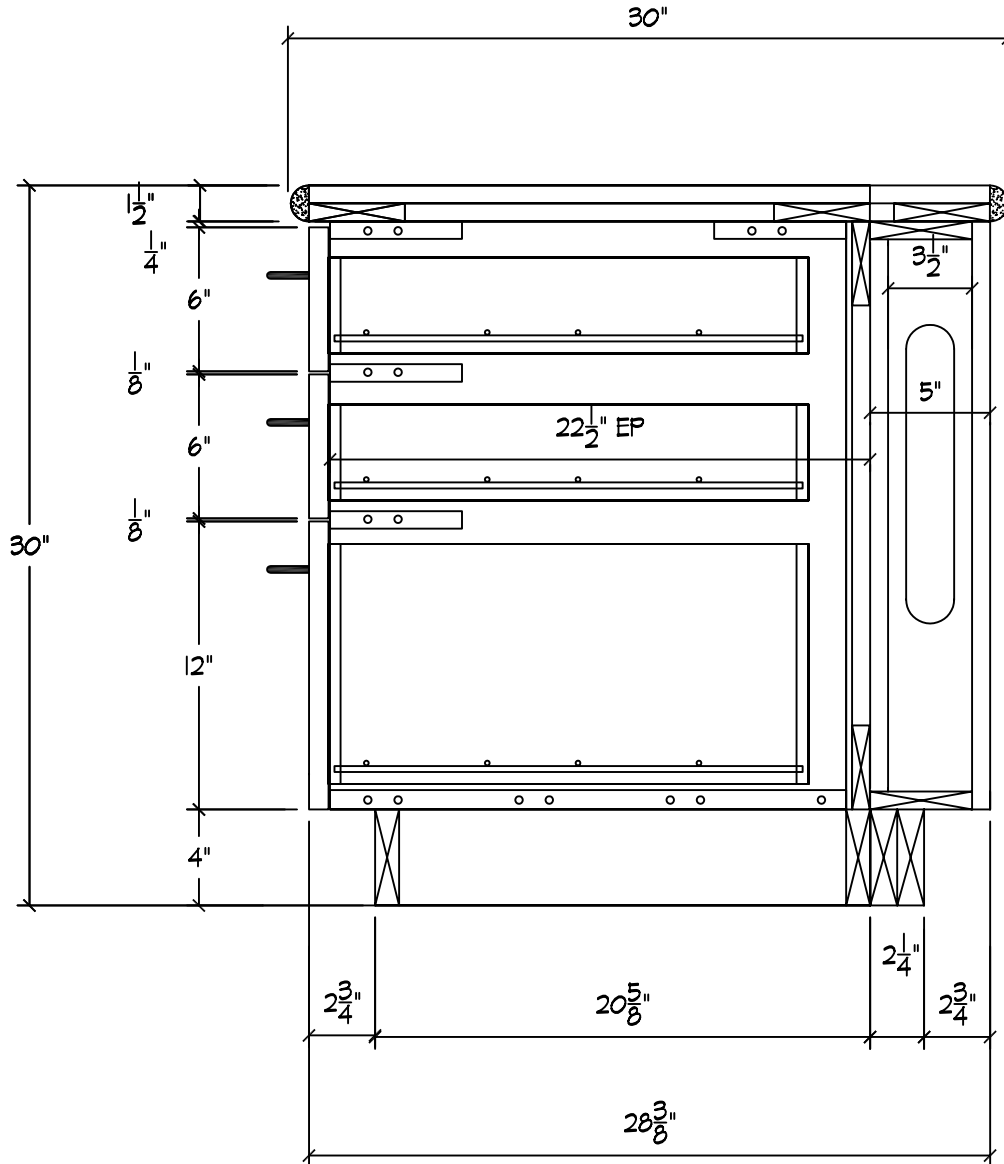


B  
S35

**SECTION**

1-1/2" = 1'-0"

Drawn by CCC	Designer or Architect	Checked by Your Manager	Revision - date 00/00/00	File name B-S35	Date 00/00/00
Your Company Name			Project Name Here		
			SECTIONS	Sheet 13 OF 16	Scale 1-1/2"=1'

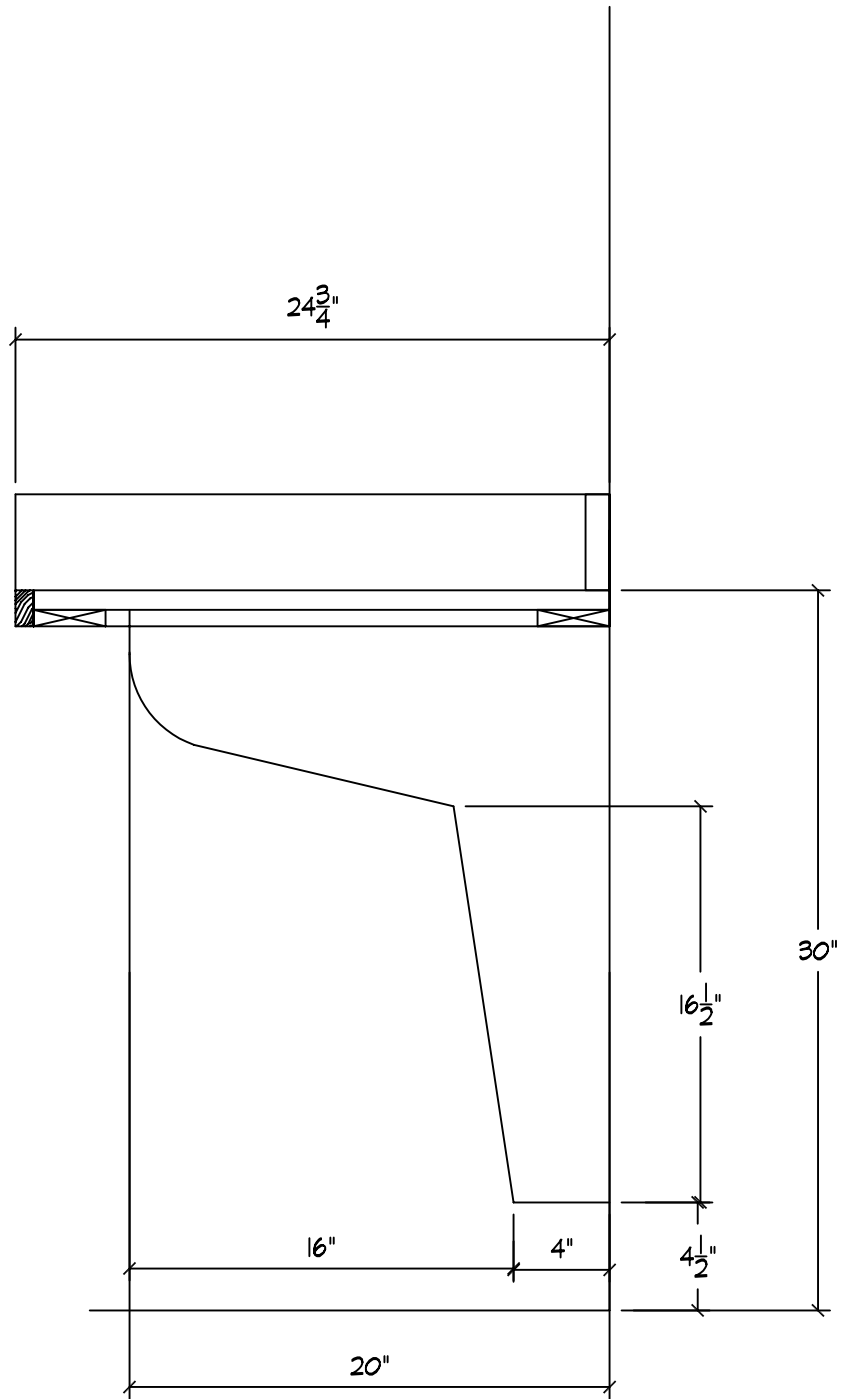


D  
S35

SECTION

1-1/2" = 1'-0"

Drawn by CCC	Designer or Architect	Checked by Your Manager	Revision - date 00/00/00	File name C-S35	Date 00/00/00
Your Company Name			Project Name Here		
			SECTIONS	Sheet 14 OF 16	Scale 1-1/2"=1'

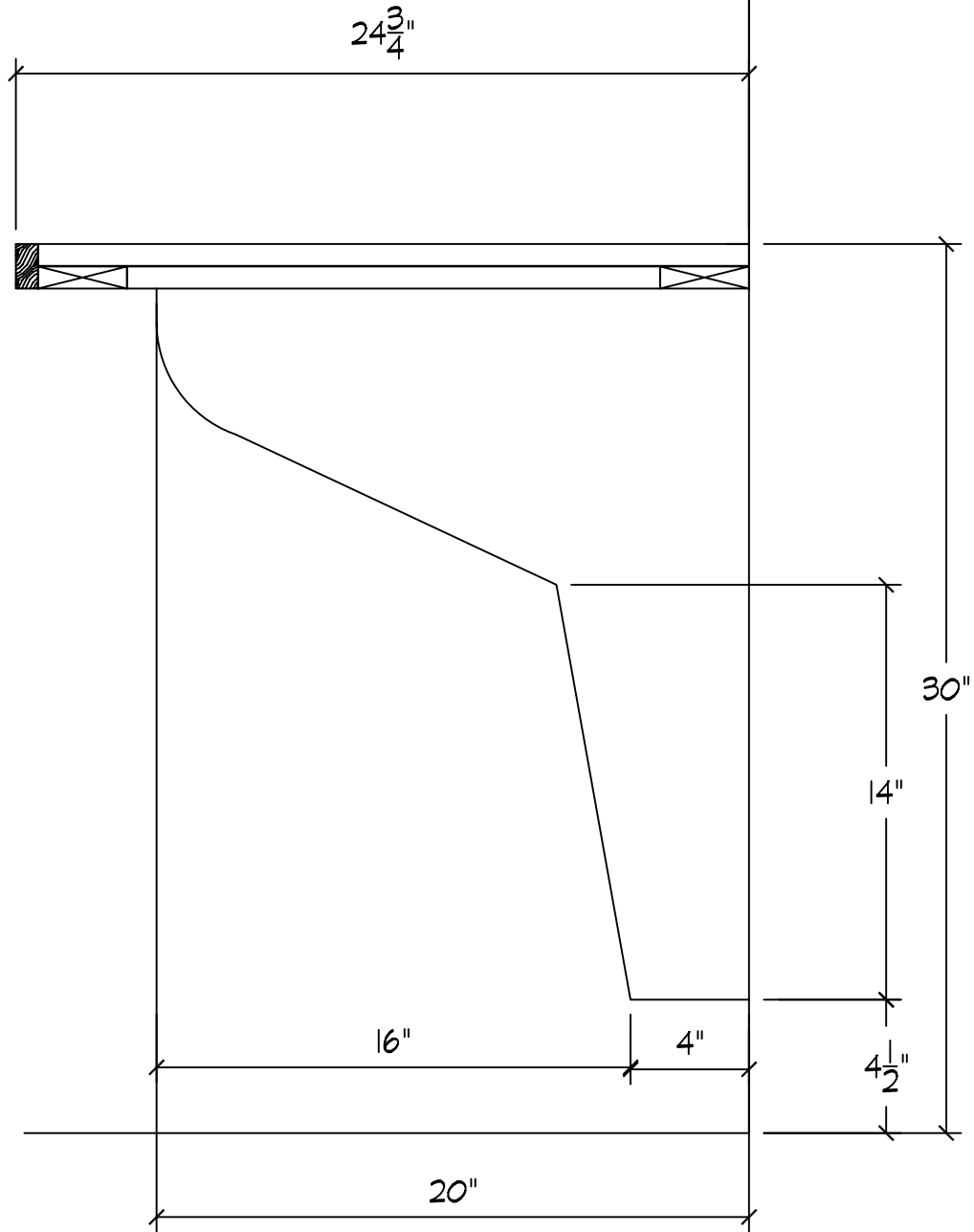


E  
53

**SECTION**

1-1/2" = 1'-0"

Drawn by CCC	Designer or Architect	Checked by Your Manager	Revision - date 00/00/00	File name C-S35	Date 00/00/00
Your Company Name			Project Name Here		
			SECTIONS	Sheet 15 OF 16	Scale 1-1/2"=1'



A  
S36

# SECTION

1-1/2" = 1'-0"

Drawn by CCC	Designer or Architect	Checked by Your Manager	Revision - date 00/00/00	File name A-S36	Date 00/00/00
Your Company Name			Project Name Here		
			SECTIONS	Sheet 16 OF 16	Scale 1-1/2"=1'