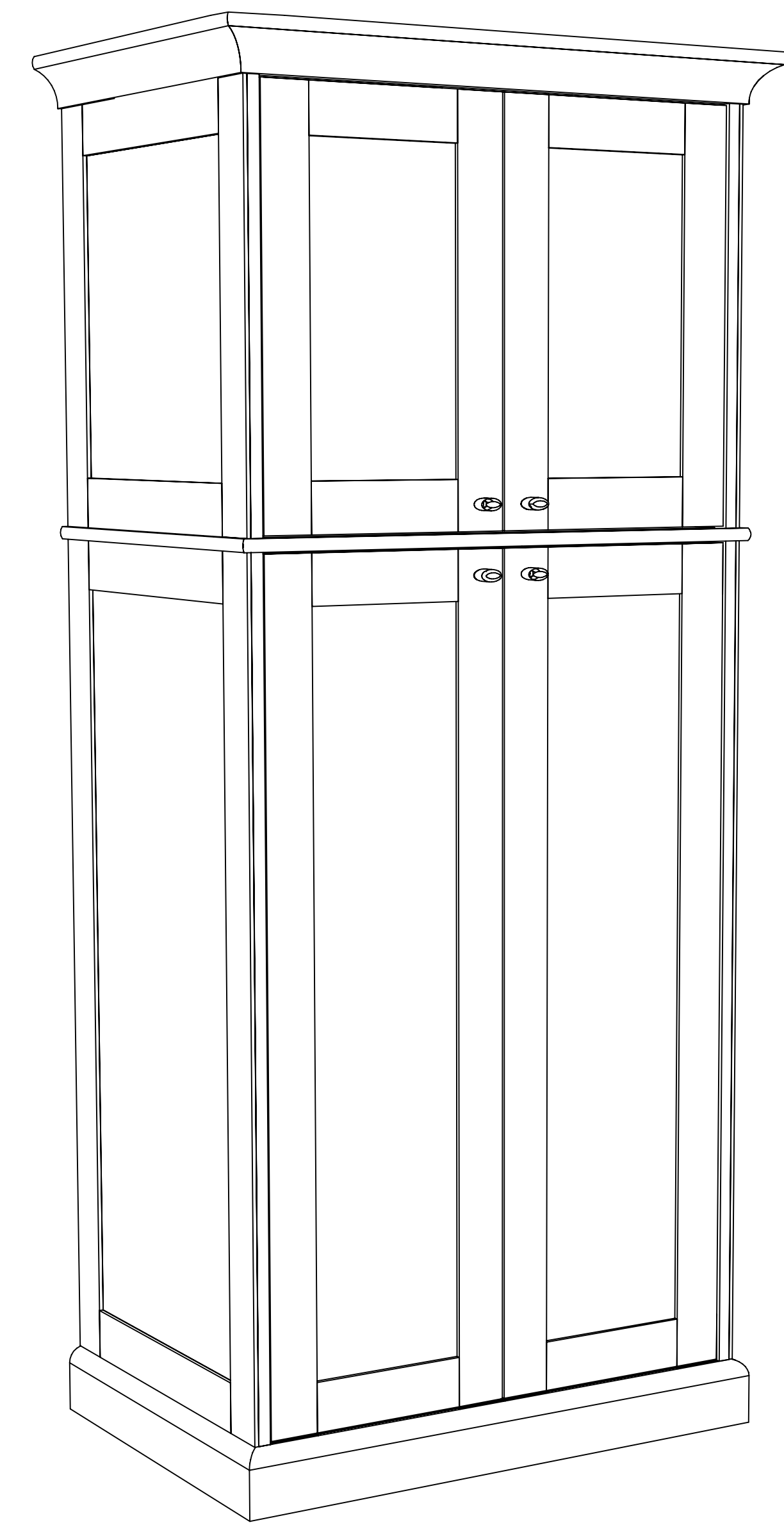
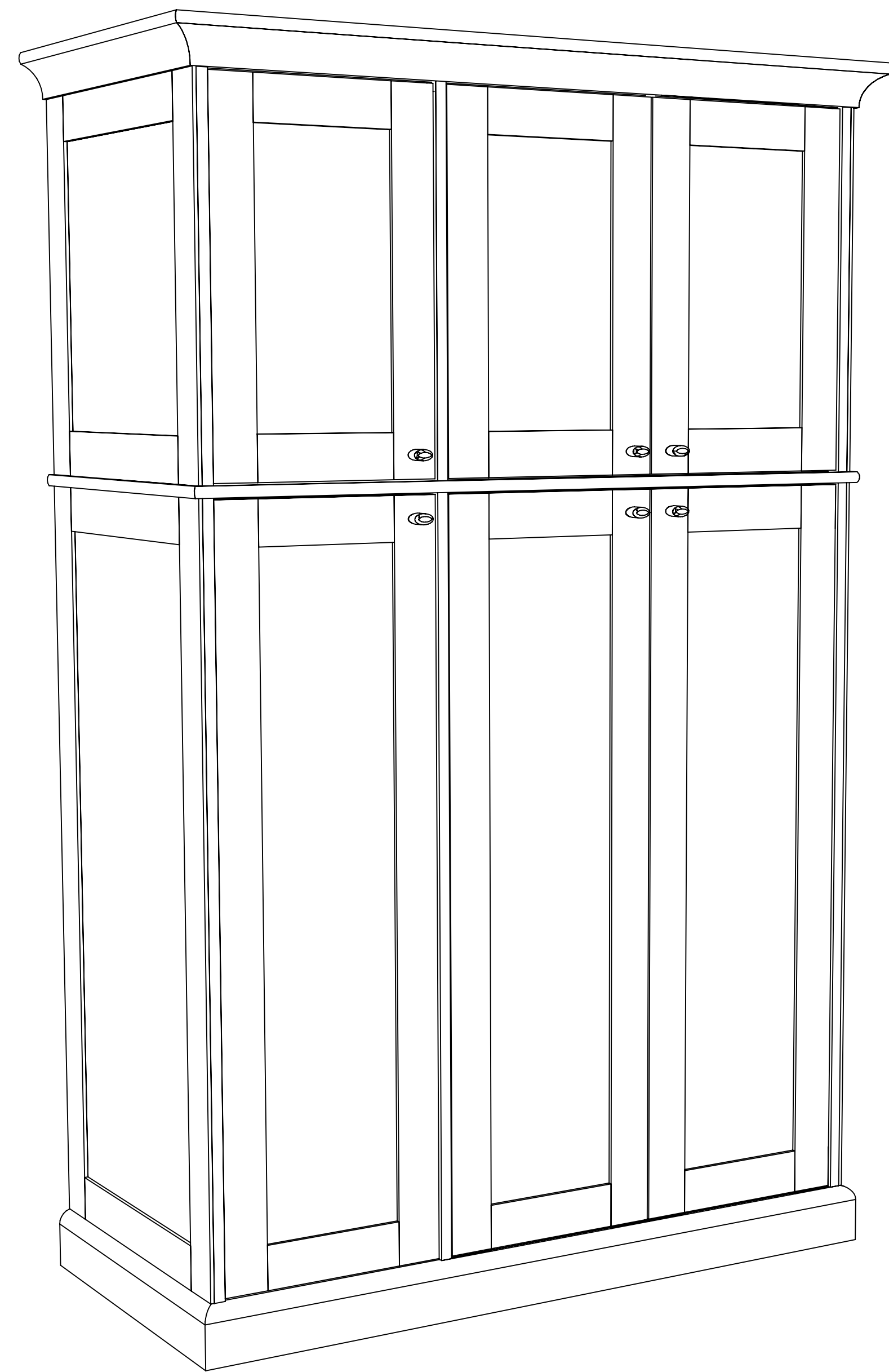


# MEMORIAL HERMANN- THE WOODLANDS (FURNITURE SUBMITTAL)

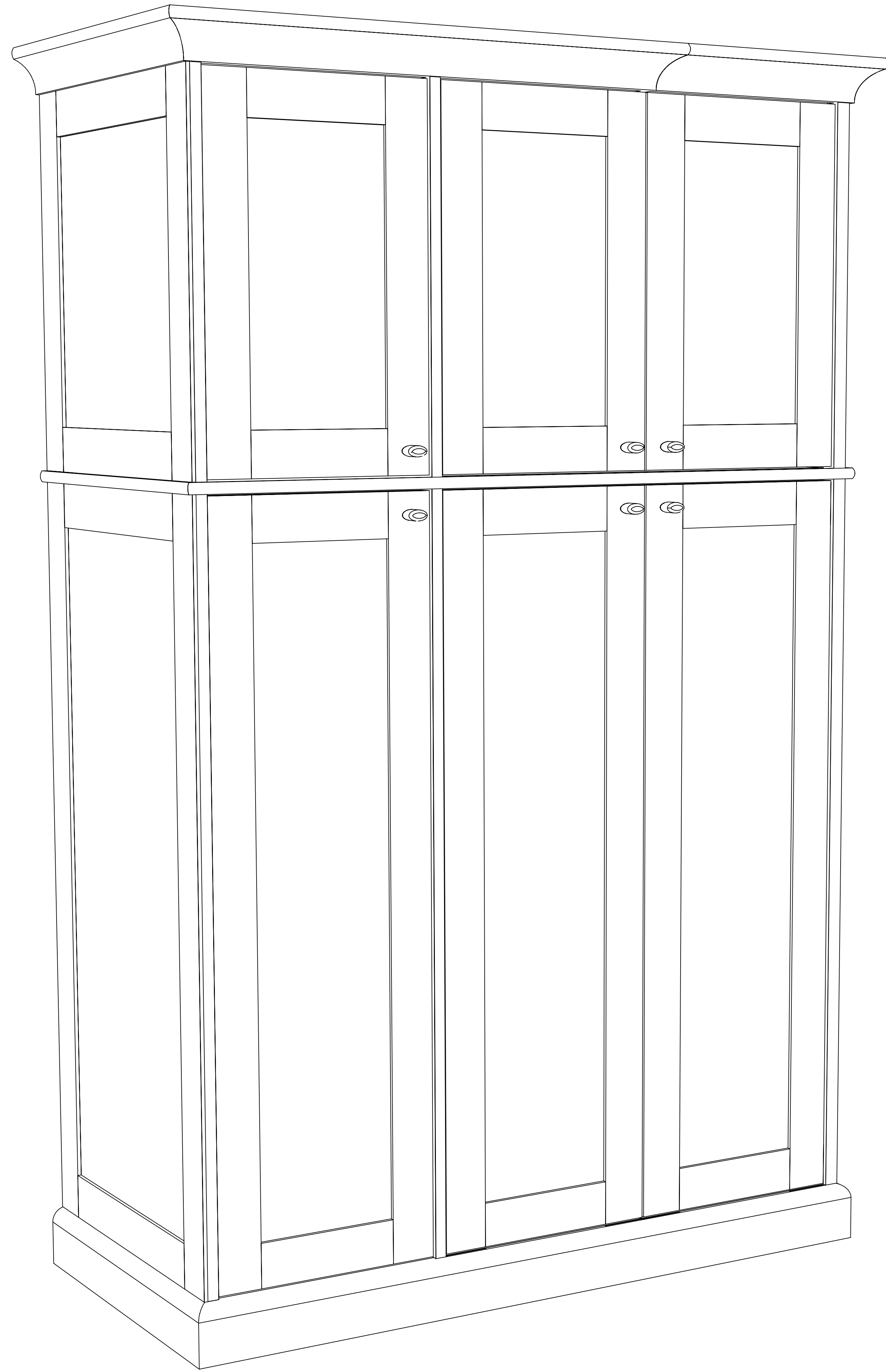
Houston, Texas

GENERAL CONTRACTOR:

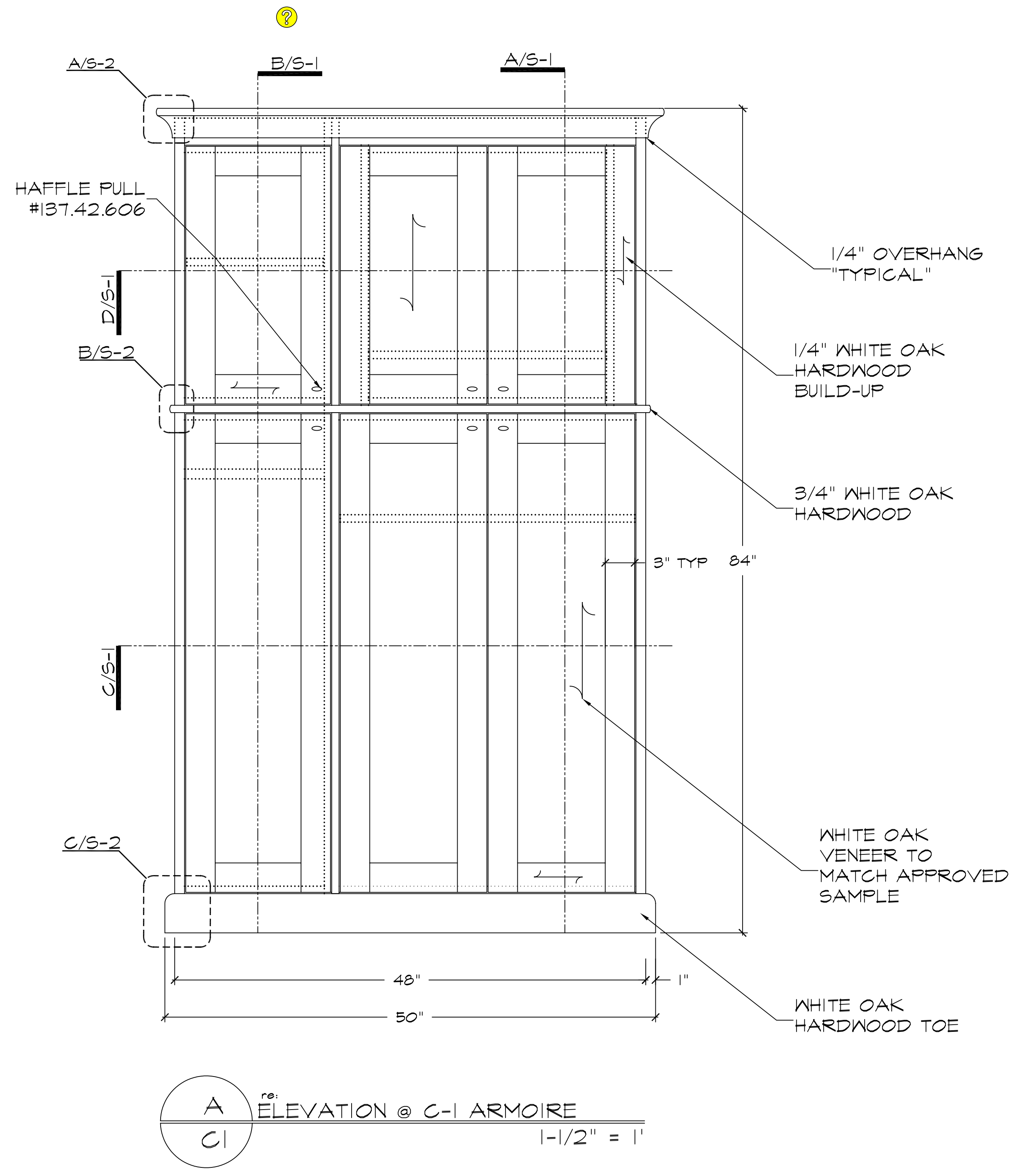
McCoy



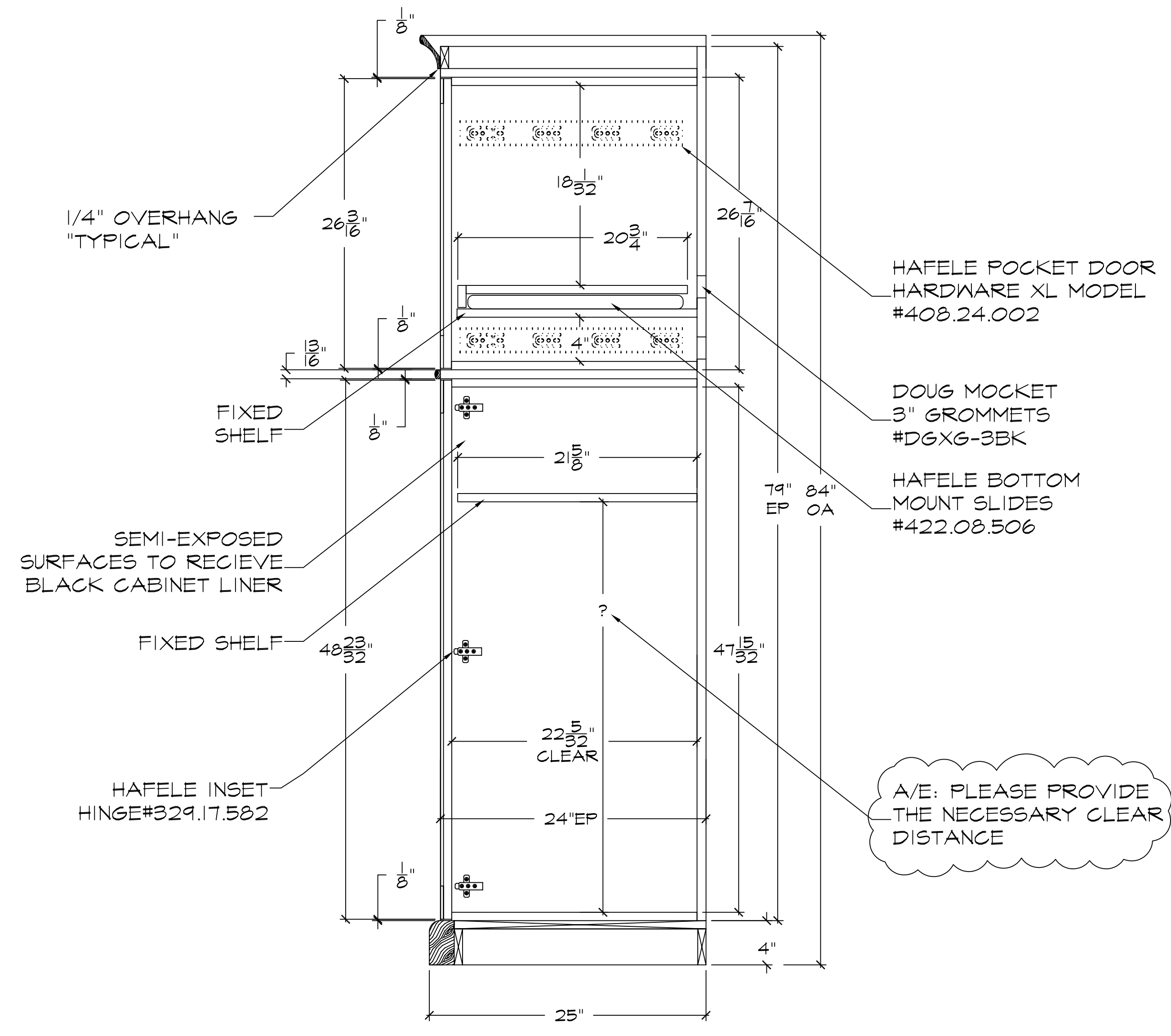
Drawn by CCC	Designer or Architect	Checked by Your Manager	Revision - date 00/00/00	File name MHMC-C1	Date 00/00/00
Your Company Name		Project Name Here			
			PERSPECTIVE	Sheet 3 OF 4	Scale NONE



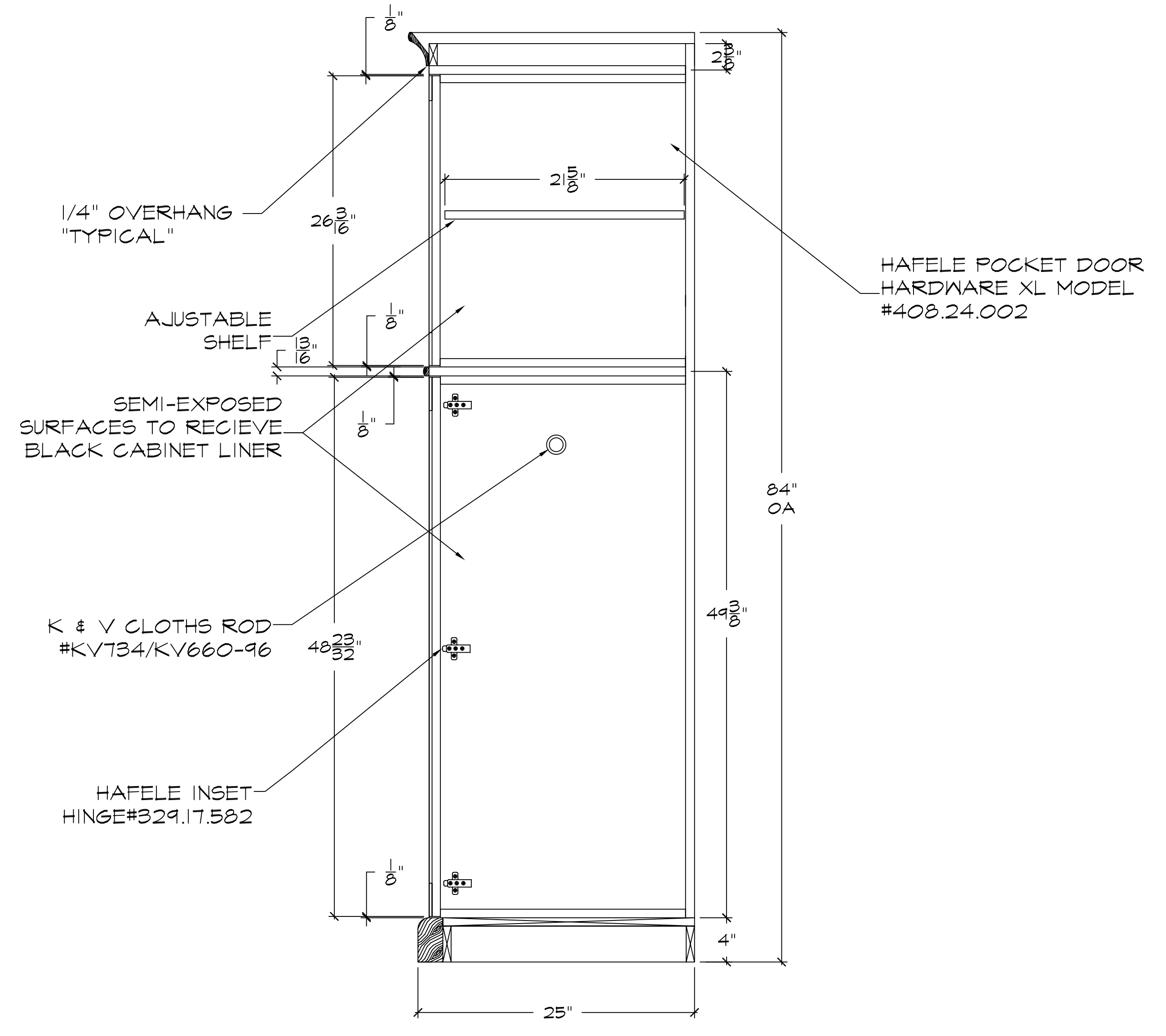
TOTAL QUANTITY NEEDED=36



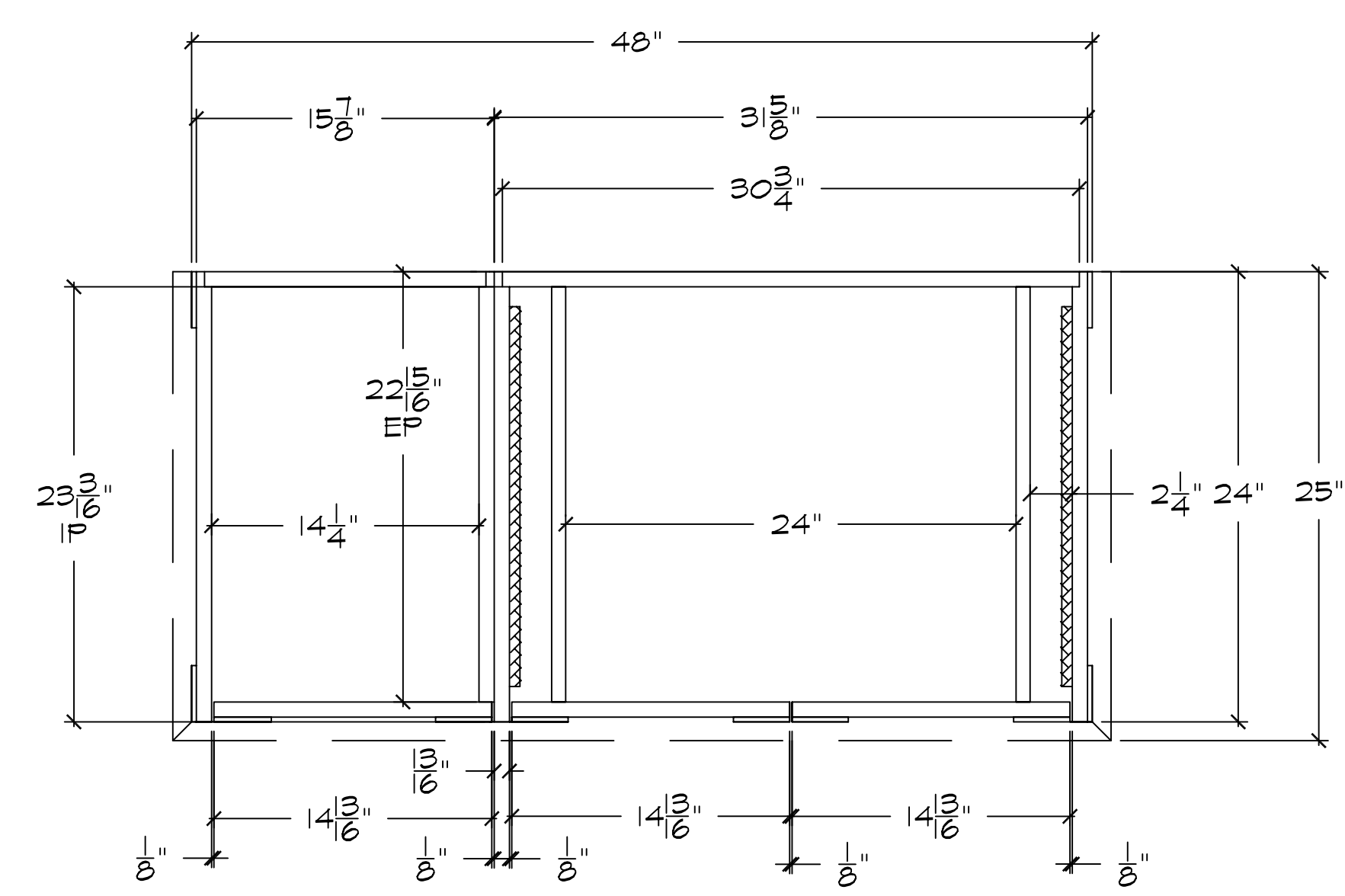
Drawn by CCC	Designer or Architect	Checked by Your Manager	Revision - date 00/00/00	File name MHMC-C1	Date 00/00/00
Your Company Name			Project Name Here		
			ELEVATIONS	Sheet 1 OF 4	Scale 1-1/2"=1'



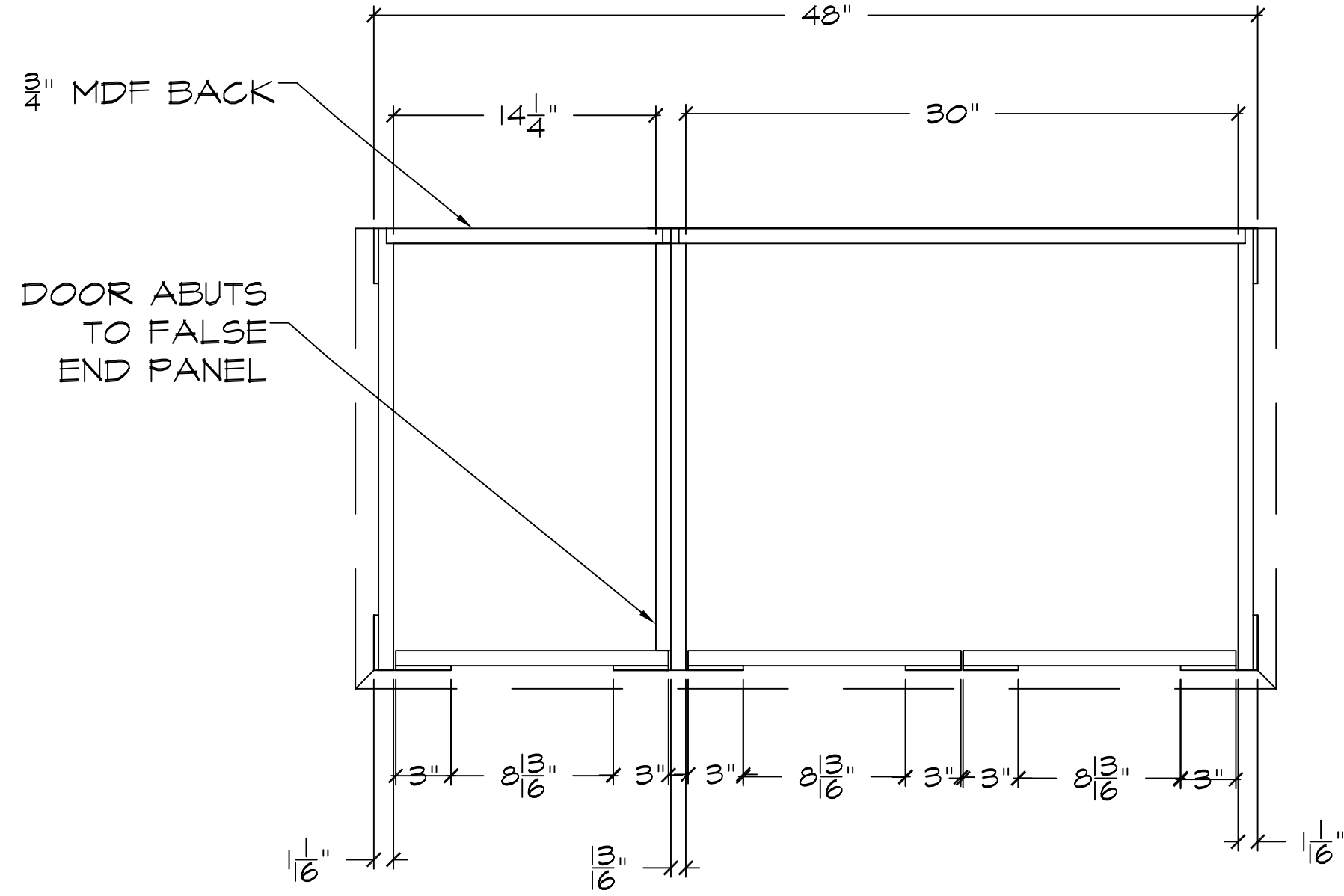
**A** SECTION @ C-1 ARMOIRE  
S-1 1-1/2" = 1'



**B** SECTION @ C-1 ARMOIRE  
S-1 1-1/2" = 1'



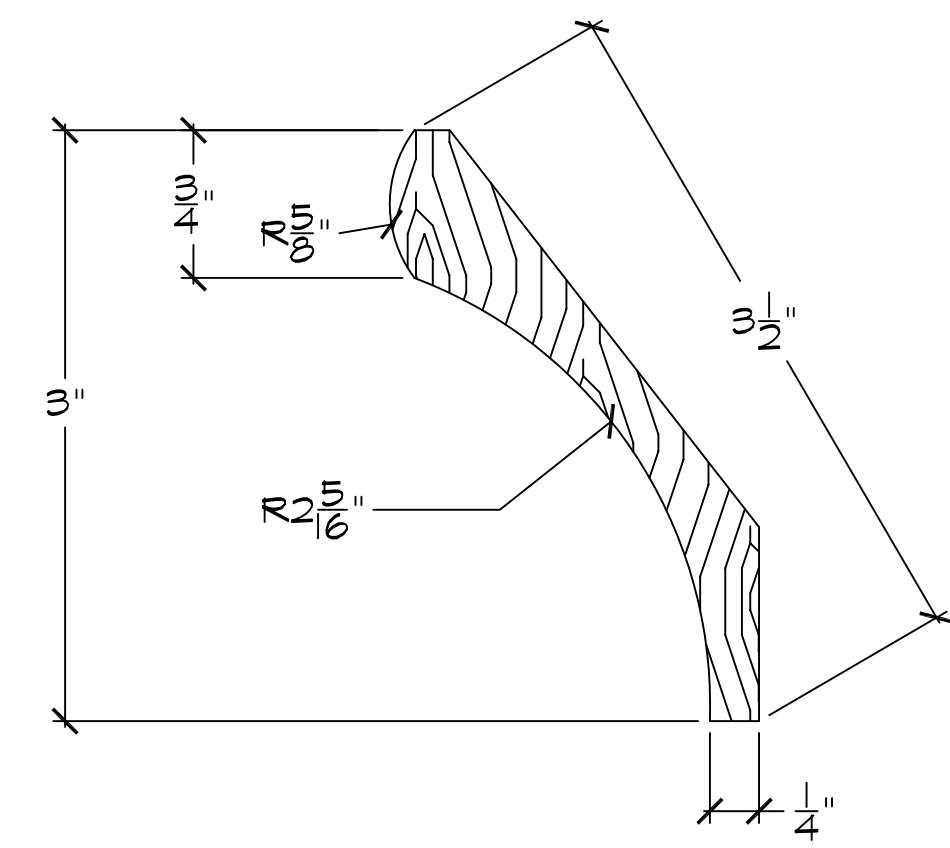
**C** PLAN SECTION @ C-1 ARMOIRE  
S-1 1-1/2" = 1'



**D** PLAN SECTION @ C-1 ARMOIRE  
S-1 1-1/2" = 1'

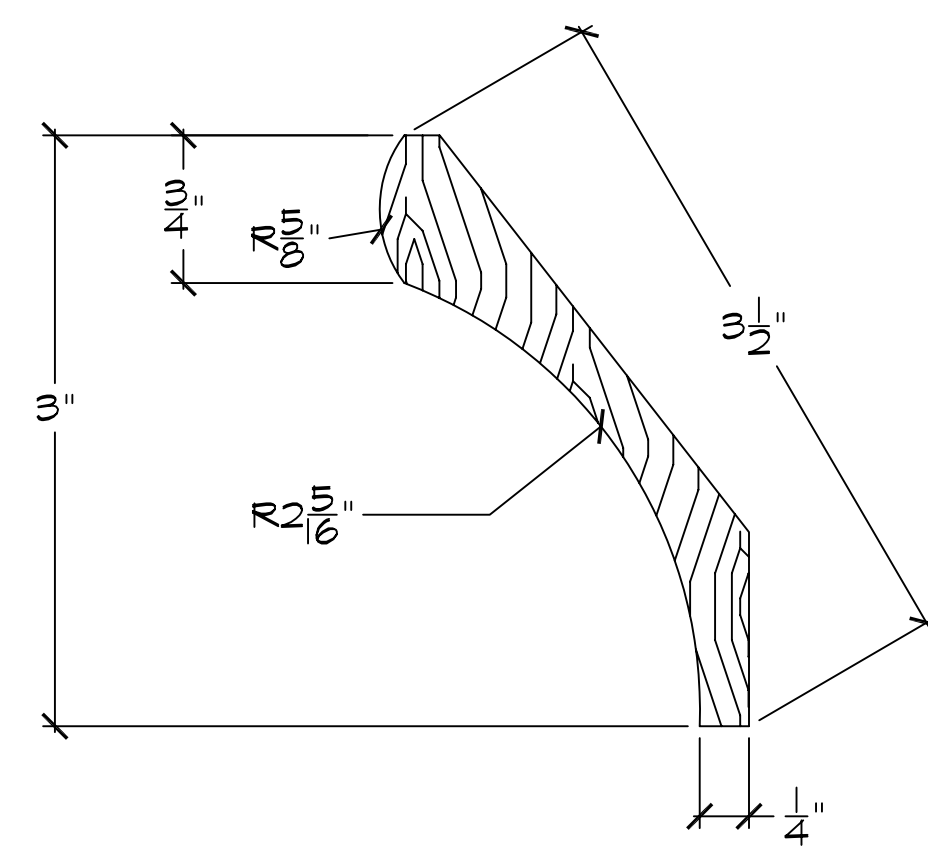
A/E: PLEASE PROVIDE THE NECESSARY CLEAR DISTANCE

Drawn by CCC	Designer or Architect	Checked by Your Manager	Revision - date 00/00/00	File name MHMC-C1	Date 00/00/00
Your Company Name			Project Name Here		
SECTIONS			Sheet 2 OF 4	Scale 1-1/2"=1'	



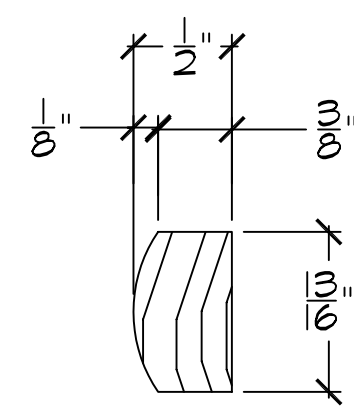
1,100 L.F. REQ'D AS SHOWN

A  
 C-1 CROWN PROFILE (WHITE OAK)  
 S-2 1" = 1"



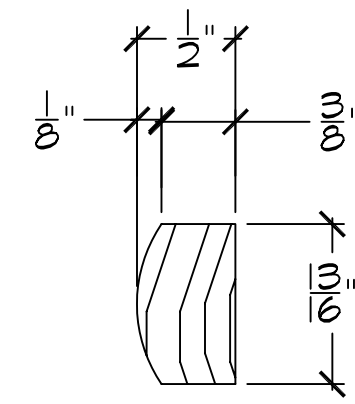
400 L.F. REQ'D AS SHOWN

D  
 C-2 CROWN PROFILE (CHERRY)  
 S-2 1" = 1"



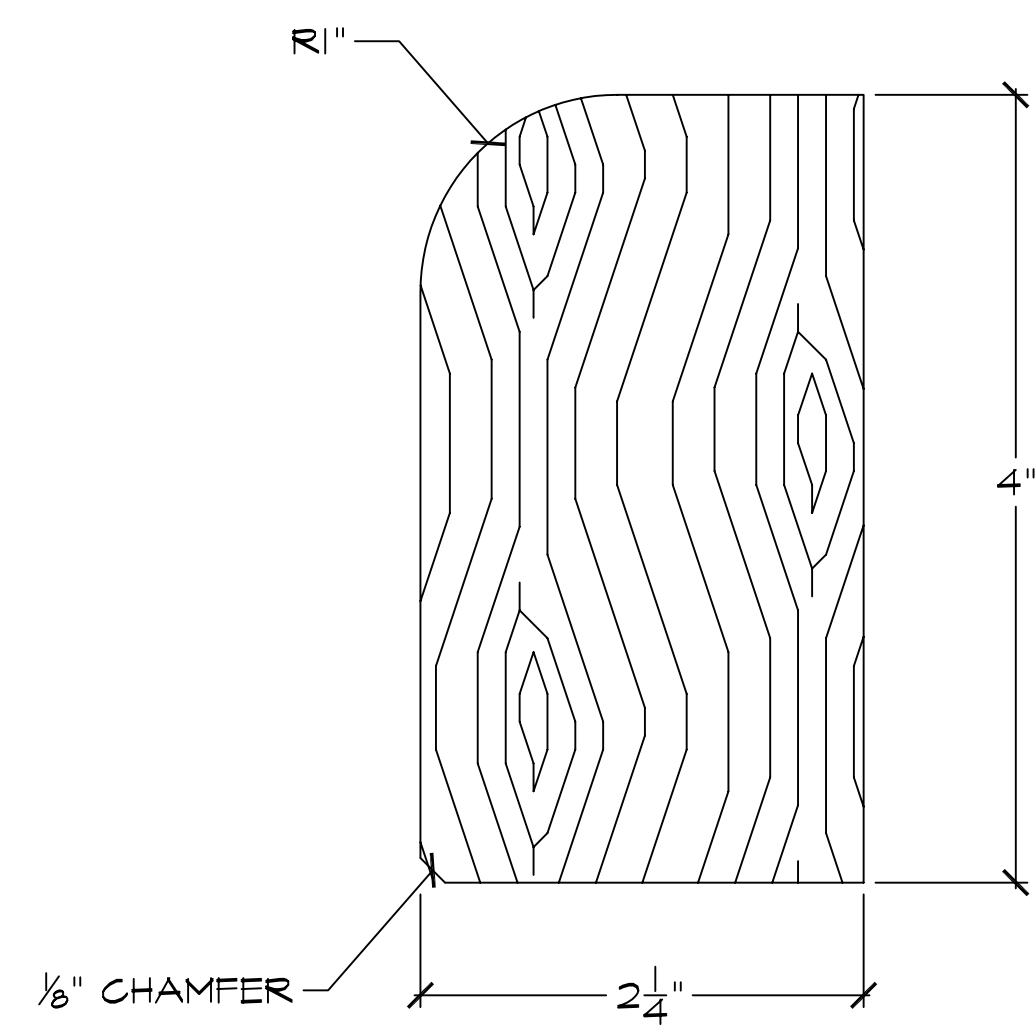
1,100 L.F. REQ'D AS SHOWN

B  
 C-1 TRIM PROFILE (WHITE OAK)  
 S-2 1" = 1"



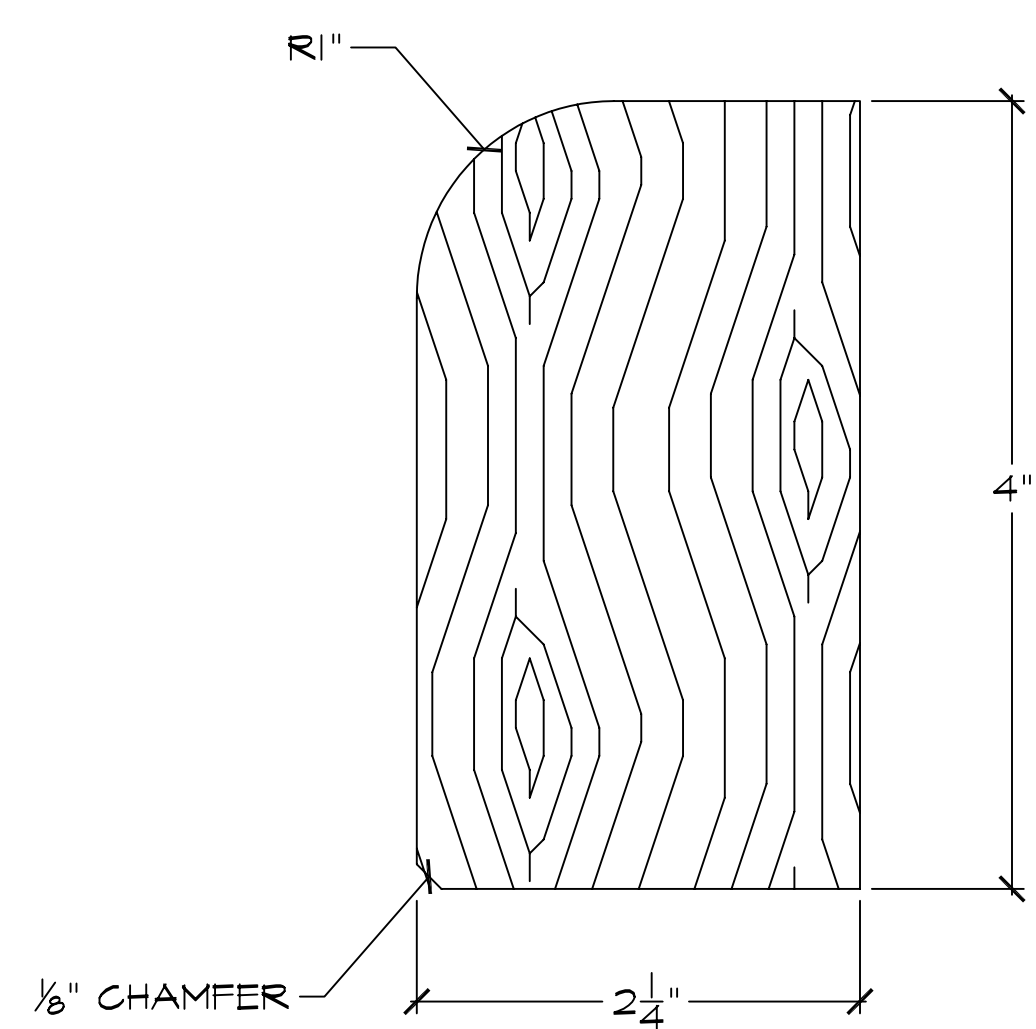
400 L.F. REQ'D AS SHOWN

E  
 C-2 TRIM PROFILE (CHERRY)  
 S-2 1" = 1"



1,100 L.F. REQ'D AS SHOWN

C  
 C-1 TOE PROFILE (WHITE OAK)  
 S-2 1" = 1"



400 L.F. REQ'D AS SHOWN

F  
 C-2 TOE PROFILE (CHERRY)  
 S-2 1" = 1"

Drawn by CCC	Designer or Architect	Checked by Your Manager	Revision - date 00/00/00	File name MHMC-C1	Date 00/00/00
Your Company Name			Project Name Here		
			PROFILES	Sheet 4 OF 4	Scale 1"=1'