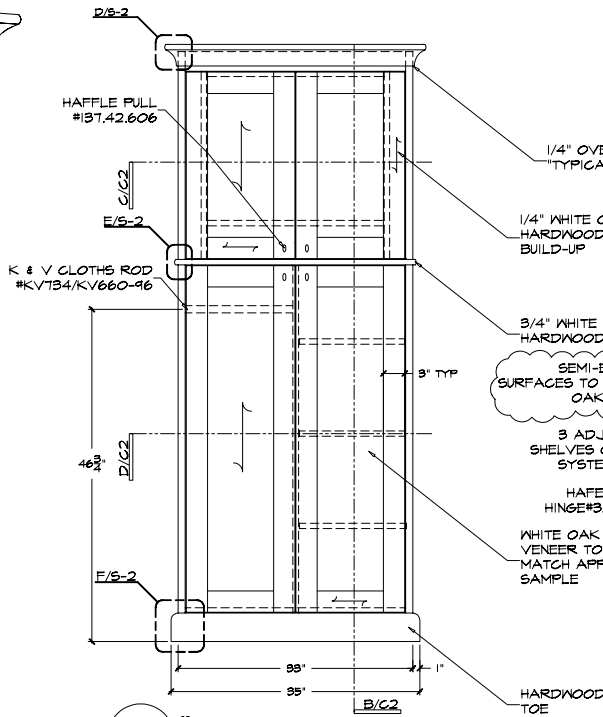
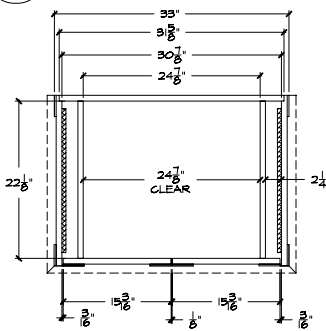




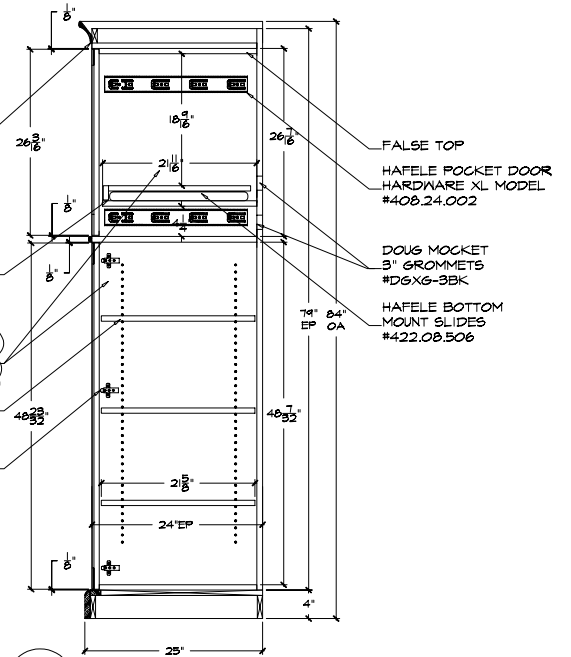
TOTAL QUANTITY NEEDED=108



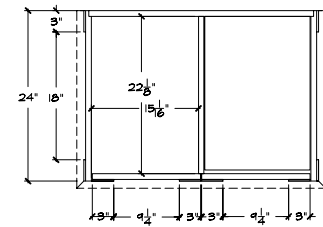
**A** ELEVATION @ C-2 ARMOIRE  
C2 1-1/2" = 1'



**C** PLAN SECTION @ C-2 ARMOIRE  
C2 1-1/2" = 1'



**B** SECTION @ C-2 ARMOIRE  
C2 1-1/2" = 1'



**D** PLAN SECTION @ C-2 ARMOIRE  
C2 1-1/2" = 1'

Drawn by CCC	Designer or Architect	Checked by Your Manager	Revision - date 00/00/00	File name MHC-1	Date 00/00/00
Your Company Name			Project Name Here		
WORKING		Sheet TOP 1	Scale AS NOTED		