

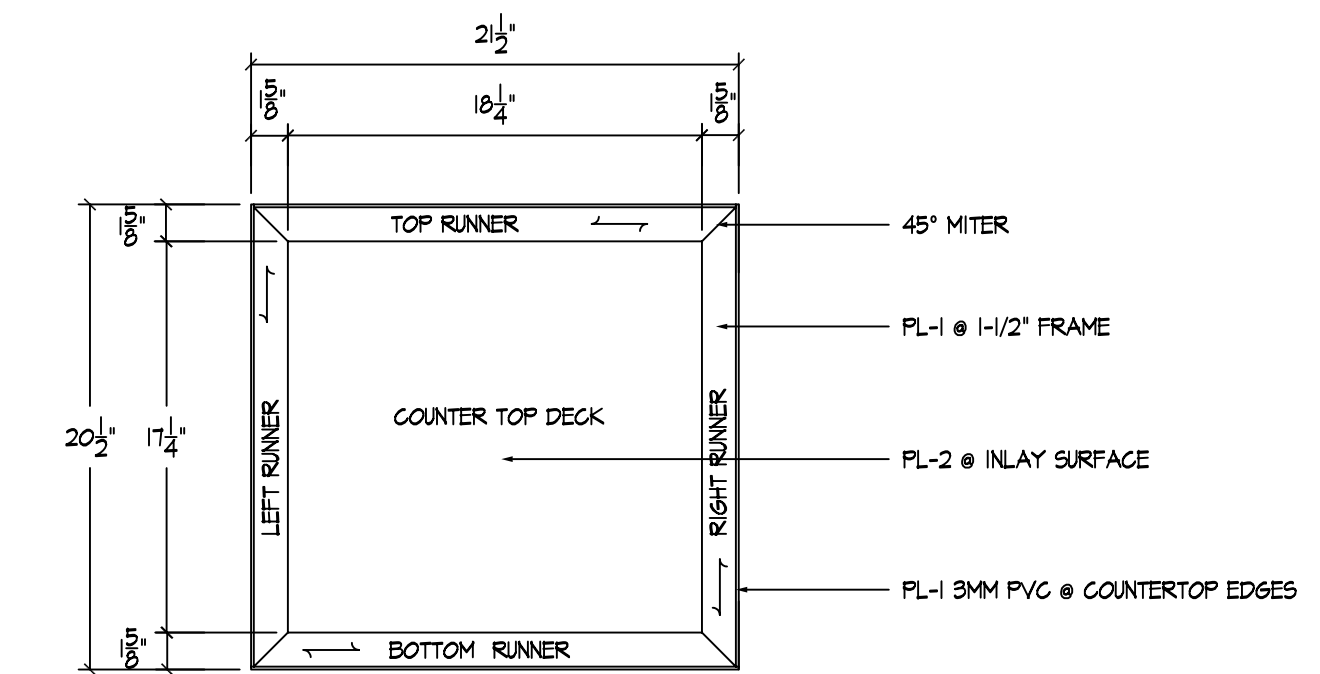
- BASE LEFT FE
- BASE RIGHT FE
- BASE BOTTOM
- BASE FRONT STRETCHER
- BASE REAR STRETCHER
- BASE THICK BACK
- TOP DRAWER FRONT
- SECOND DRAWER FRONT
- BOTTOM DRAWER FRONT
- INTERMEDIATE STRETCHER
- INTERMEDIATE STRETCHER
- LEFT DRAWER SIDE
- RIGHT DRAWER SIDE
- DRAWER SUB FRONT
- DRAWER BACK
- DRAWER BOTTOM
- LEFT DRAWER SIDE
- RIGHT DRAWER SIDE
- DRAWER SUB FRONT
- DRAWER BACK
- DRAWER BOTTOM
- LEFT DRAWER SIDE
- RIGHT DRAWER SIDE
- DRAWER SUB FRONT
- DRAWER BACK
- DRAWER BOTTOM

- QTY - 1 WIDTH - 18.125 LENGTH - 30.75
- QTY - 1 WIDTH - 18.125 LENGTH - 30.75
- QTY - 1 WIDTH - 11.3125 LENGTH - 18.375
- QTY - 1 WIDTH - 5.5 LENGTH - 18.375
- QTY - 1 WIDTH - 5.5 LENGTH - 18.375
- QTY - 1 WIDTH - 14.25 LENGTH - 30.75
- QTY - 1 WIDTH - 20 LENGTH - 10.04375
- QTY - 1 WIDTH - 20 LENGTH - 10.04375
- QTY - 1 WIDTH - 20 LENGTH - 10.04375
- QTY - 1 WIDTH - 5.5 LENGTH - 18.375
- QTY - 1 WIDTH - 5.5 LENGTH - 18.375
- QTY - 1 WIDTH - 0 LENGTH - 16
- QTY - 1 WIDTH - 0 LENGTH - 16
- QTY - 1 WIDTH - 15 LENGTH - 16.3125
- QTY - 1 WIDTH - 15 LENGTH - 16.3125
- QTY - 1 WIDTH - 16.8125 LENGTH - 15.5
- QTY - 1 WIDTH - 0 LENGTH - 16
- QTY - 1 WIDTH - 0 LENGTH - 16
- QTY - 1 WIDTH - 0 LENGTH - 16
- QTY - 1 WIDTH - 0 LENGTH - 16
- QTY - 1 WIDTH - 16.8125 LENGTH - 15.5
- QTY - 1 WIDTH - 0 LENGTH - 16
- QTY - 1 WIDTH - 0 LENGTH - 16
- QTY - 1 WIDTH - 0 LENGTH - 16
- QTY - 1 WIDTH - 0 LENGTH - 16
- QTY - 1 WIDTH - 16.8125 LENGTH - 15.5

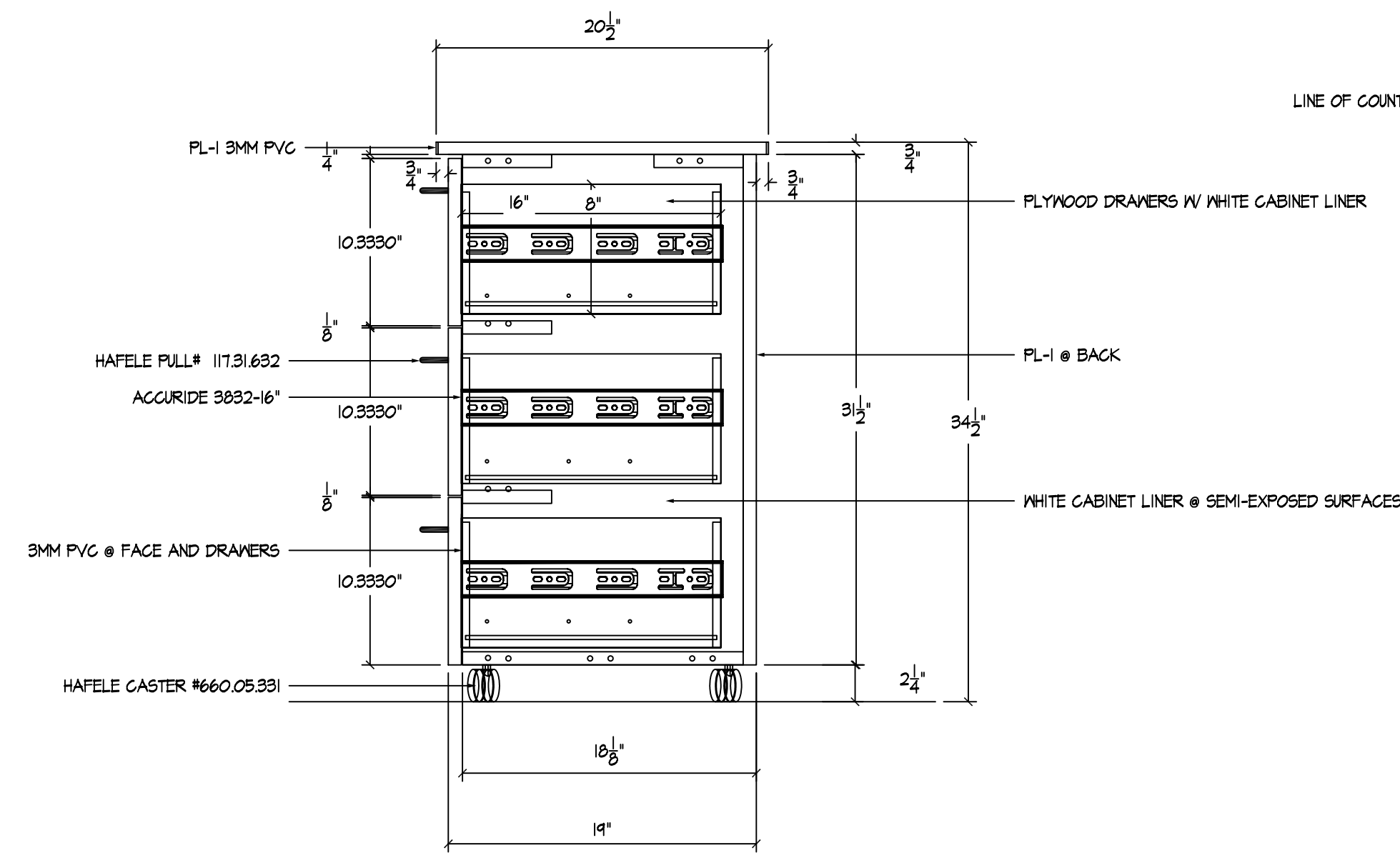
ELEVATION @ EVO-40
1-1/2" = 1'-0"

ROOM NO.	FACE COLOR	INLAY TOP COLOR
	PL-1	PL-2

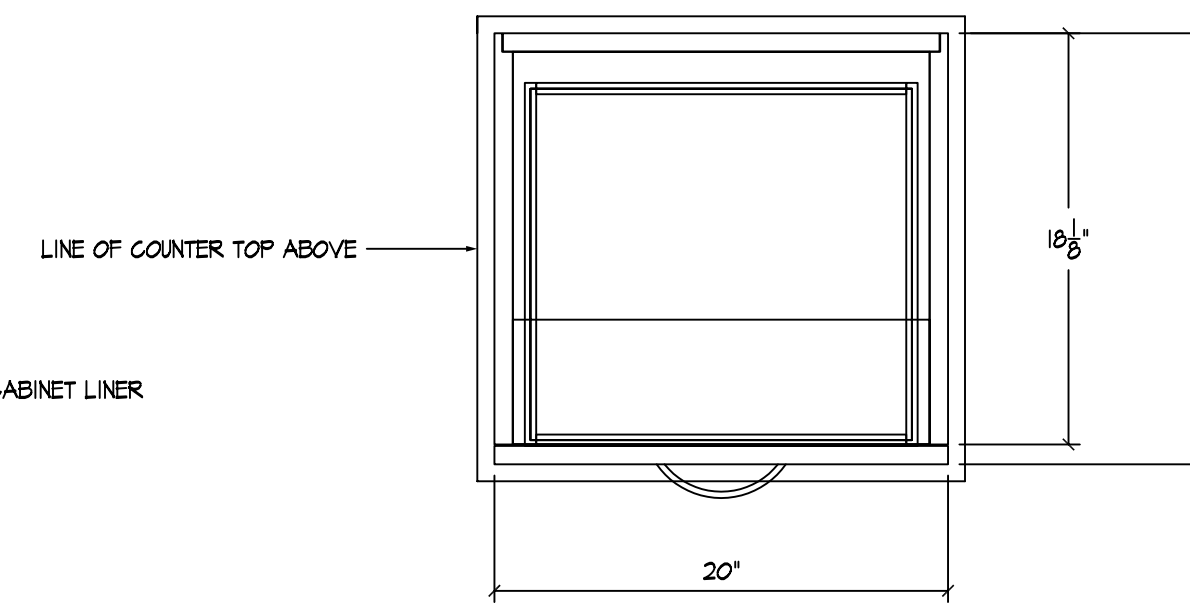
TOTAL QUANTITY = 31



C-TOP PLAN SECTION @ EVO-40
1-1/2" = 1'-0"



VERTICAL SECTION @ EVO-40
1-1/2" = 1'-0"



PLAN SECTION @ EVO-40
1-1/2" = 1'-0"

PL-1= WILSONART "CONGO SPRUCE" T062-60
PL-2= FORMICA "COLORADO SLATE" T014-58

Drawn by CCC	Designer or Architect	Checked by Your Manager	Revision - date 00/00/00	File name SLPP	Date 00/00/00
Your Company Name			Project Name Here		
WORKING DRAWING			Sheet 1 OF 1	Scale AS NOTED	