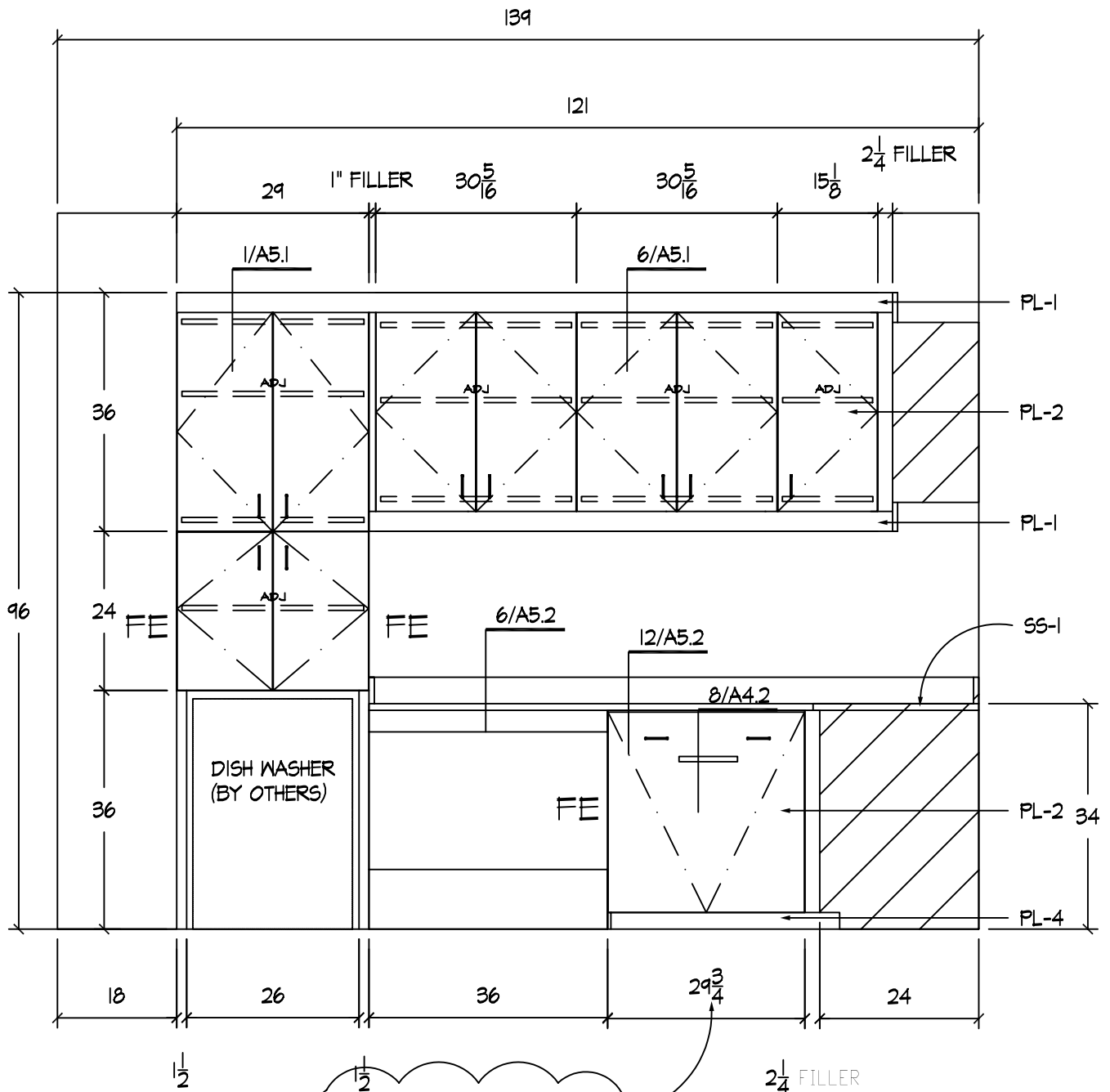


1/4" = 1'-0"

Drawn by CCC	Designer or Architect	Checked by Your Manager	Revision - date 00/00/00	File name CPAF	Date 00/00/00
Your Company Name			Project Name Here		
			PLAN	Sheet 1 OF 6	Scale 1/4"=1'



CABINET WIDTH WAS REDUCED FOR ADA COMPLIANCE PLEASE CONFIRM THIS IS OK.

A
E-1

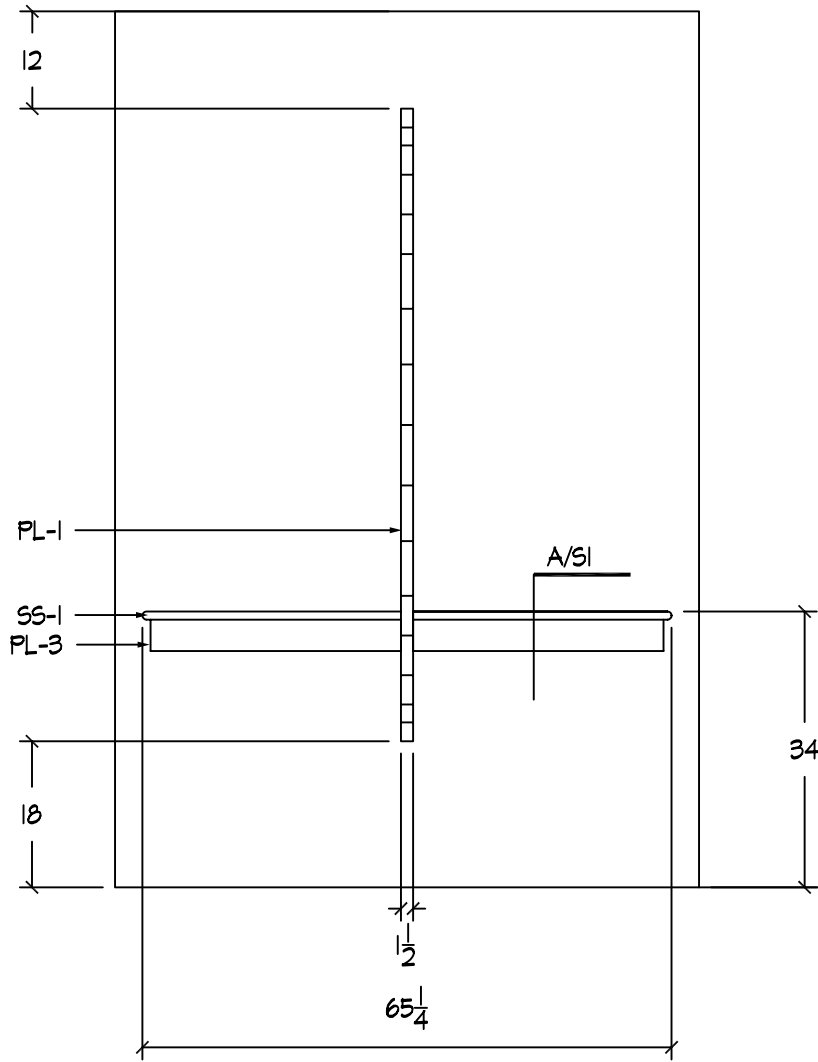
ELEVATION @ BREAK ROOM

1/2" = 1'-0"

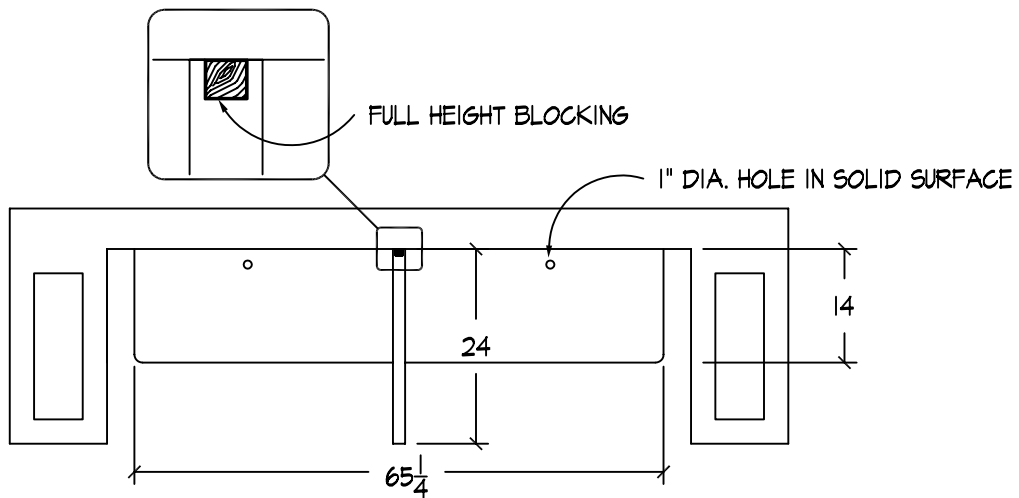
NOTE: ARCHITECTS SECTIONS ARE TO BE USED FOR THIS SUBMITTAL.

- PL1= FORMICA "MISSION WHITE" 933-58
- PL2= FORMICA "GRAPHITE" 837-58
- PL3= NEVAMAR "CROWN CHERRY MIRROR" W-8-294M
- PL4= FORMICA "BLACK" 909-58

Drawn by CCC	Designer or Architect	Checked by Your Manager	Revision - date 00/00/00	File name CPAF	Date 00/00/00
Your Company Name			Project Name Here		
			ELEVATIONS	Sheet 2 OF 6	Scale 1/2"=1'

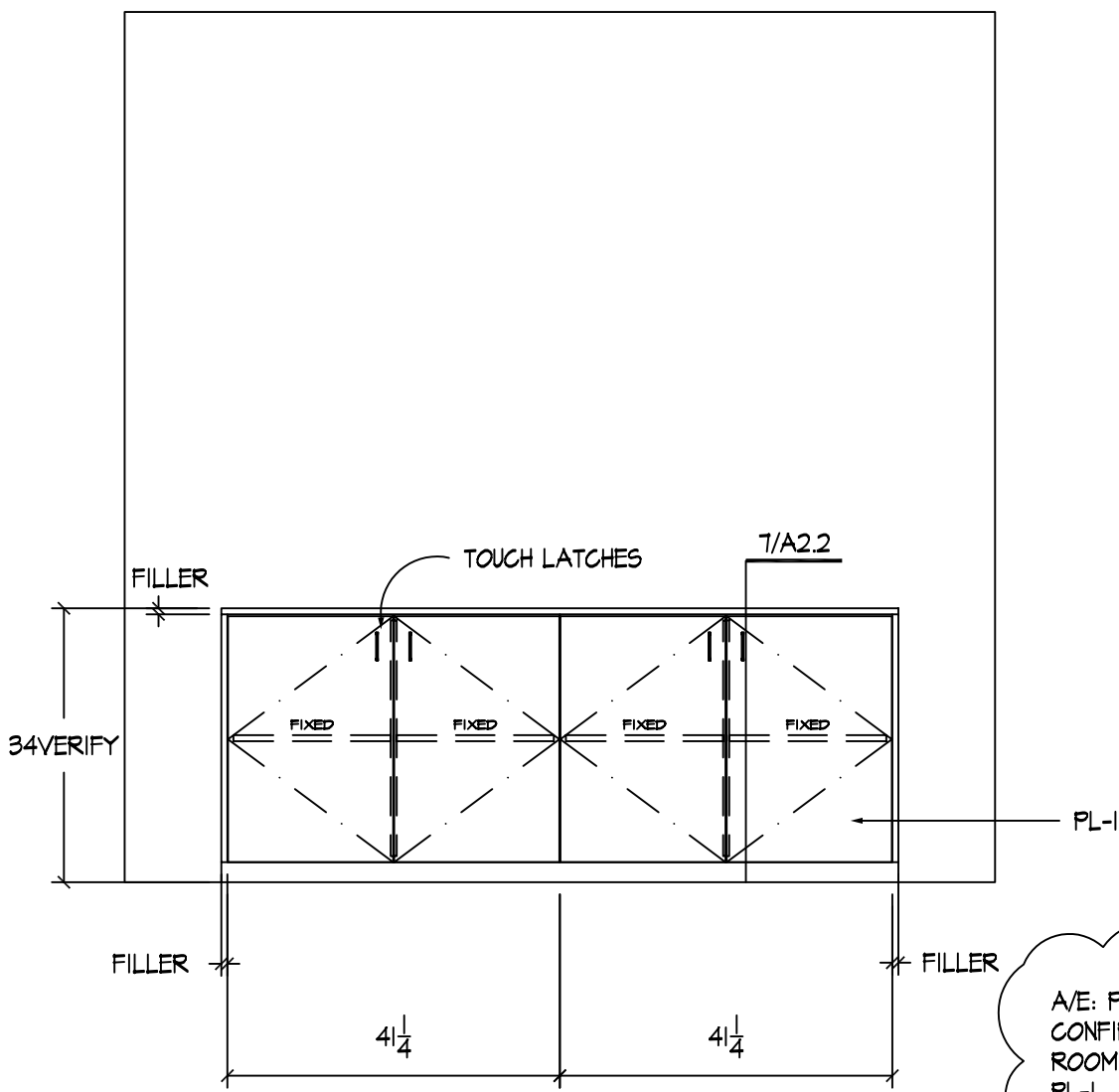


A
E-3
ELEVATION @ PHONE BOOTHS
1/2" = 1'-0"

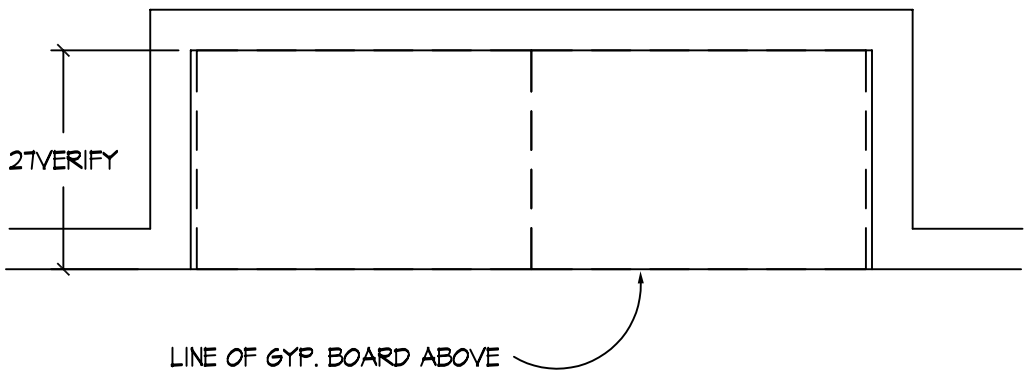


PL1= FORMICA "MISSION WHITE" 933-58
 PL2= FORMICA "GRAPHITE" 837-58
 PL3= NEVAMAR "CROWN CHERRY MIRROR"
 W-8-294M
 PL4= FORMICA "BLACK" 909-58

Drawn by CCC	Designer or Architect	Checked by Your Manager	Revision - date 00/00/00	File name CPAF	Date 00/00/00
Your Company Name			Project Name Here		
			ELEVATIONS	Sheet 4 OF 6	Scale 1/2" = 1'



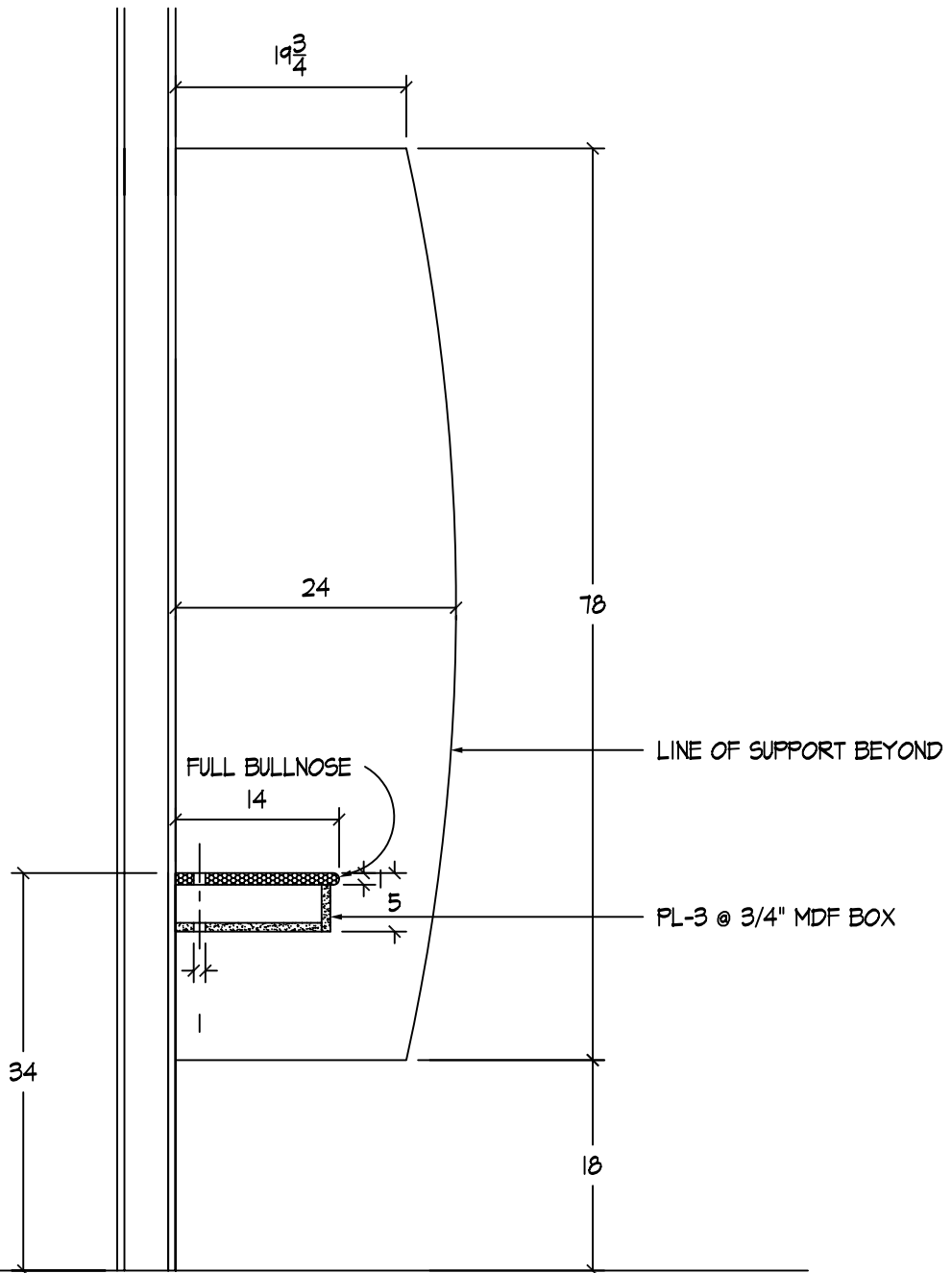
(A) ELEVATION @ EXECUTIVE LOUNGE
 E-4
 1/2" = 1'-0"



NOTE: ARCHITECTS SECTIONS ARE TO BE USED FOR THIS SUBMITTAL.

- PL1= FORMICA "MISSION WHITE" 933-58
- PL2= FORMICA "GRAPHITE" 837-58
- PL3= NEVAMAR "CROWN CHERRY MIRROR" W-8-294M
- PL4= FORMICA "BLACK" 909-58

Drawn by CCC	Designer or Architect	Checked by Your Manager	Revision - date 00/00/00	File name CPAF	Date 00/00/00
Your Company Name			Project Name Here		
			ELEVATIONS	Sheet 5 OF 6	Scale 1/2" = 1'



A
SECTION
3/4" = 1'-0"

Drawn by CCC	Designer or Architect	Checked by Your Manager	Revision - date 00/00/00	File name CPAF	Date 00/00/00
Your Company Name			Project Name Here		
			SECTIONS	Sheet 6 OF 6	Scale 3/4" = 1'