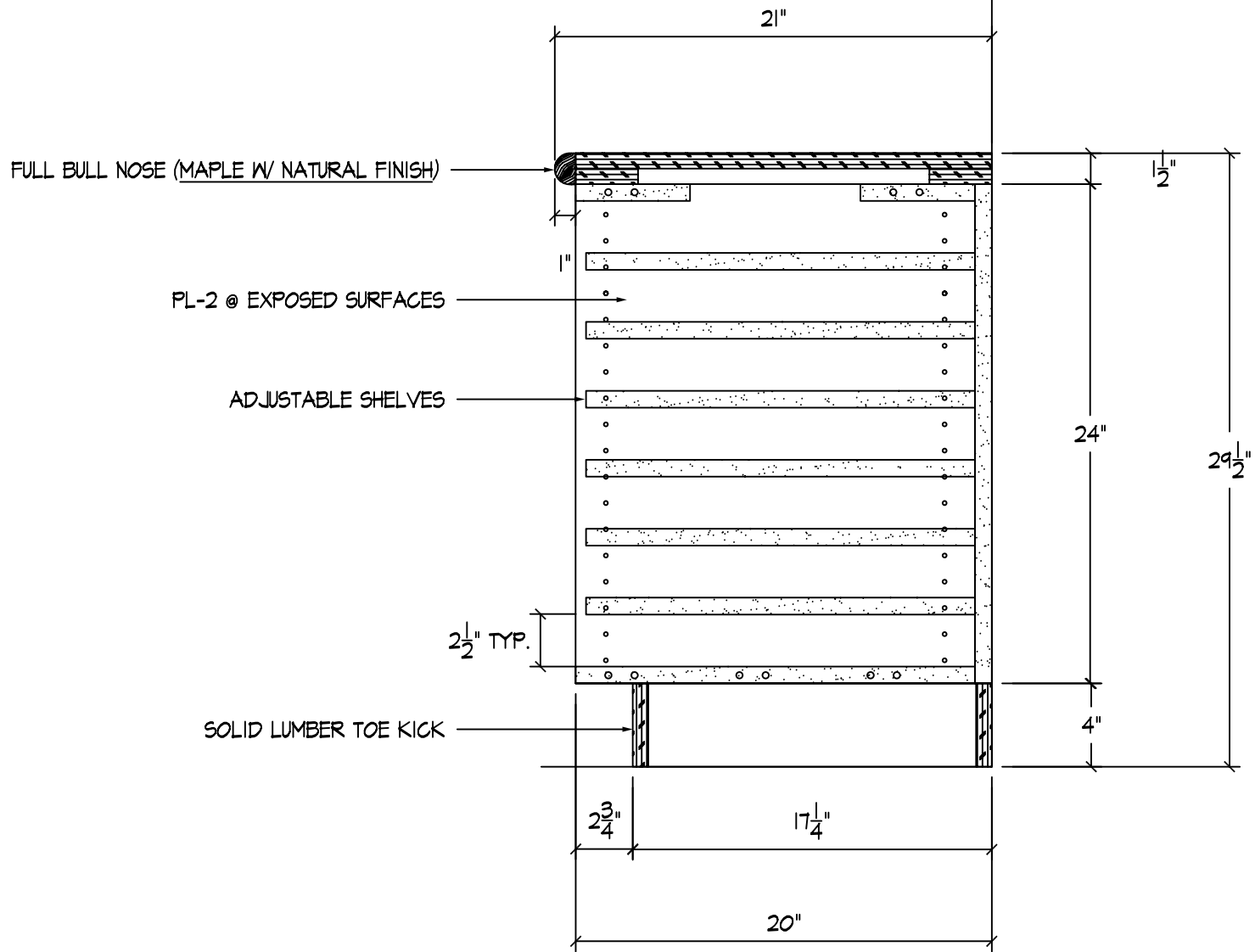


Drawn by CCC	Designer or Architect	Checked by Your Manager	Revision - date 00/00/00	File name MC-Bovis L.L.	Date 00/00/00
Your Company Name			Project Name Here		
			PERSPECIVE	Sheet 1 OF 4	Scale NONE

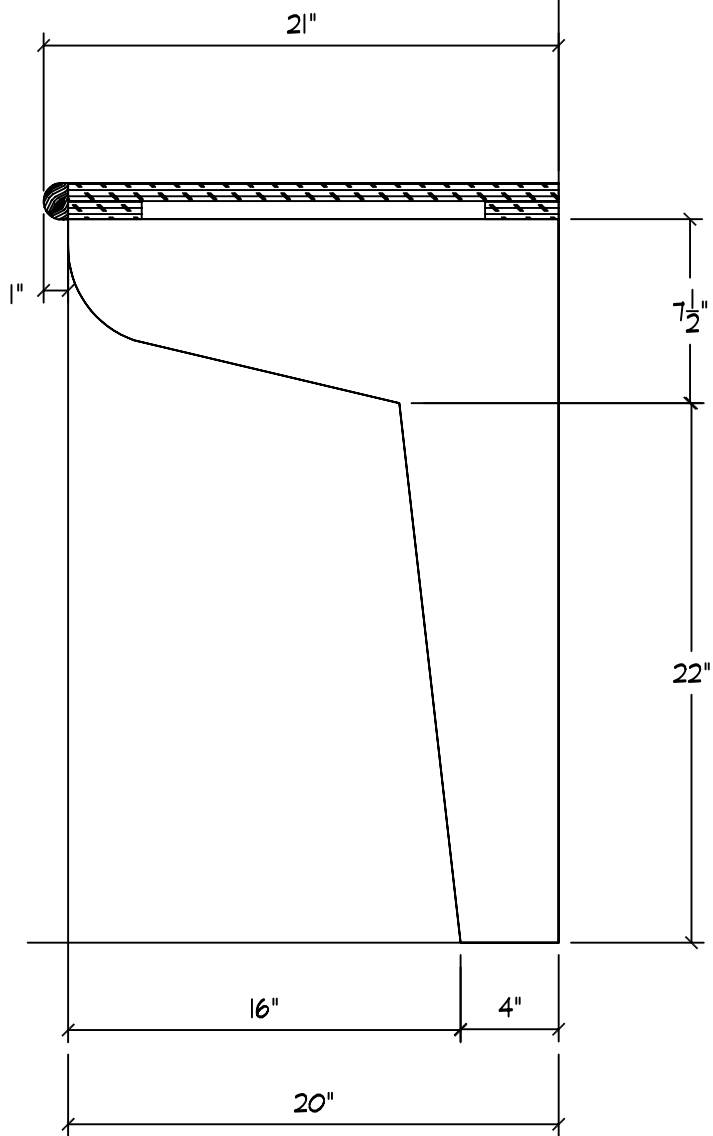


A
5-1

SECTION @ DRAWING "CUBBY"

1-1/2" = 1'-0"

Drawn by CCC	Designer or Architect	Checked by Your Manager	Revision - date 00/00/00	File name MC-Bovis L.L.	Date 00/00/00
Your Company Name			Project Name Here		
			SECTIONS	Sheet 3 OF 4	Scale 1-1/2"=1/1'



A
5-2 SECTION @ ANGLED SUPPORT
 1-1/2" = 1'-0"

Drawn by CCC	Designer or Architect	Checked by Your Manager	Revision - date 00/00/00	File name MC-Bovis L.L.	Date 00/00/00
Your Company Name			Project Name Here		
			SECTIONS	Sheet 4 OF 4	Scale 1-1/2"=1'