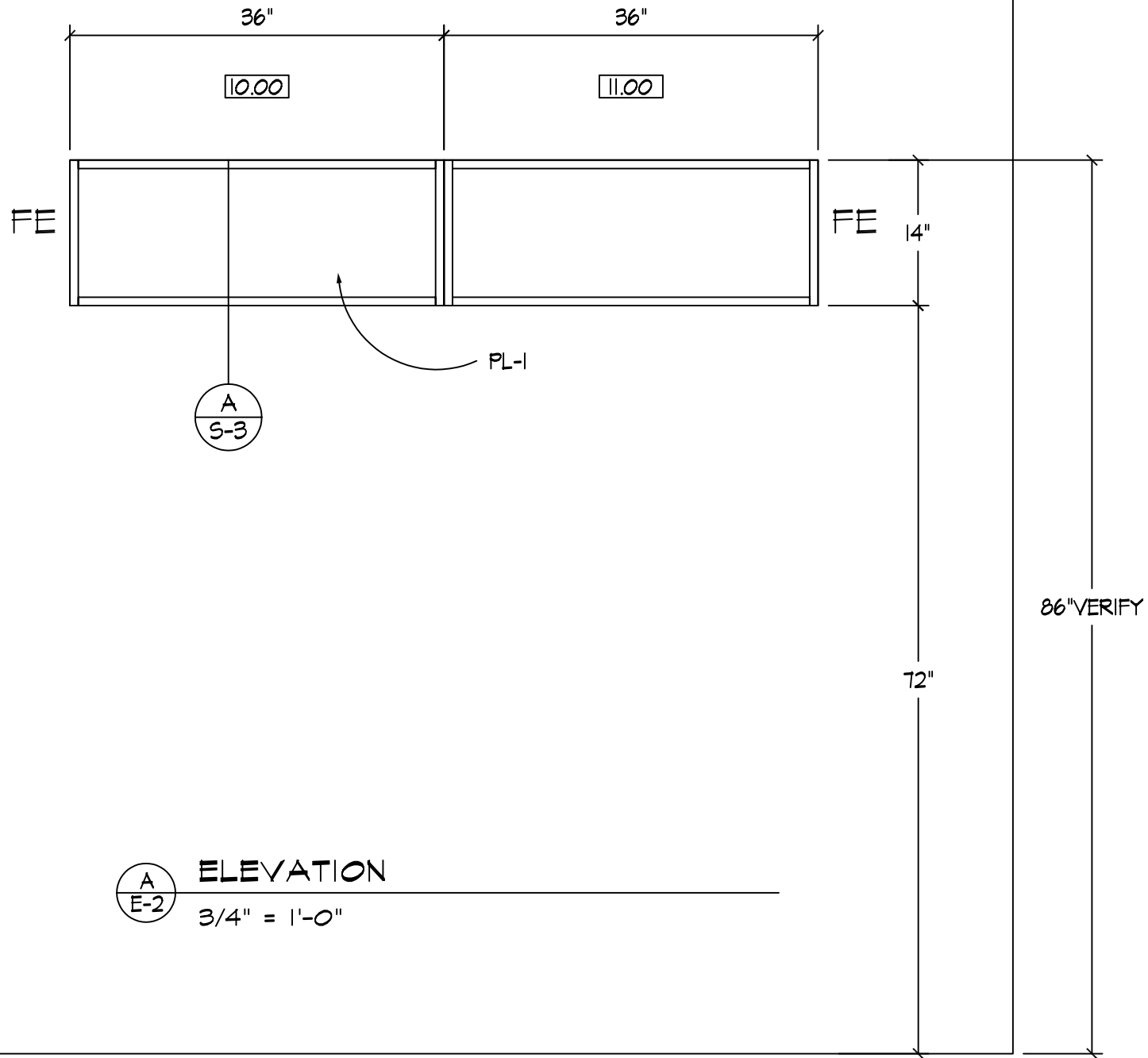


A
E-1 **ELEVATION**
1/2" = 1'-0"

NOTE:
PL-1=WILSONART "INDIGO" D379

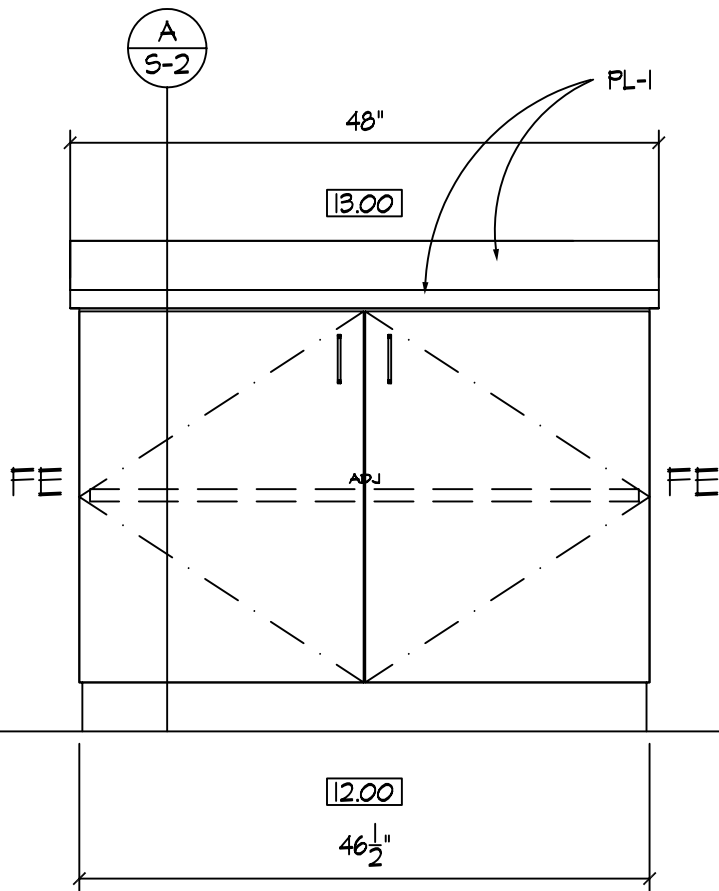
Drawn by CCC	Designer or Architect	Checked by Your Manager	Revision - date 00/00/00	File name TURNER09	Date 00/00/00
Your Company Name			Project Name Here		
			ELEVATIONS	Sheet 1 OF 9	Scale 1/2"=1'



A
E-2
ELEVATION
 3/4" = 1'-0"

NOTE:
 PL-1=WILSONART"INDIGO"D379

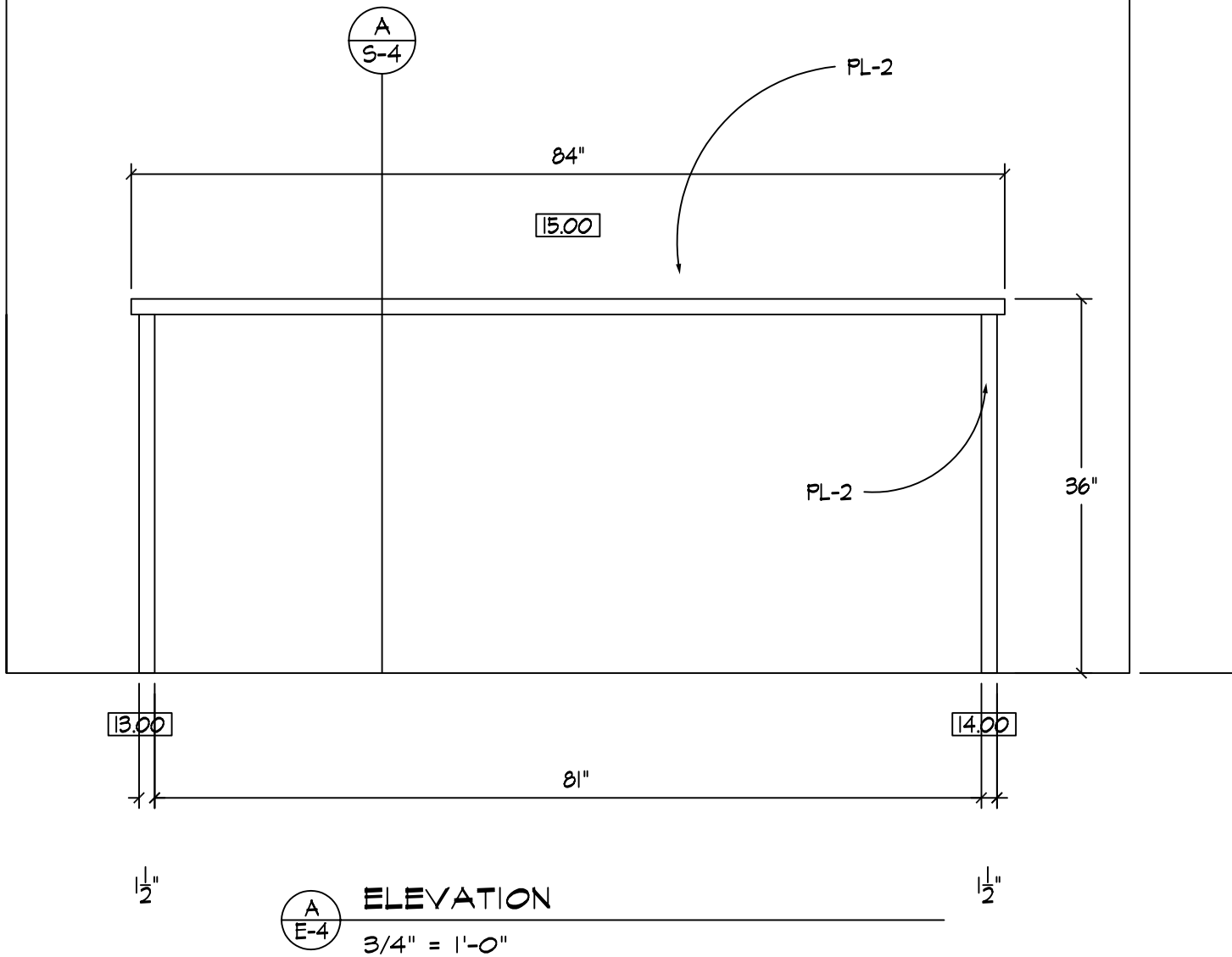
Drawn by CCC	Designer or Architect	Checked by Your Manager	Revision - date 00/00/00	File name TURNER09	Date 00/00/00
Your Company Name			Project Name Here		
			ELEVATIONS	Sheet 2 OF 9	Scale 3/4'=1'



A
E-3
ELEVATION
3/4" = 1'-0"

Drawn by CCC	Designer or Architect	Checked by Your Manager	Revision - date 00/00/00	File name TURNER09	Date 00/00/00
Your Company Name			Project Name Here		
			ELEVATIONS	Sheet 3 OF 9	Scale 3/4' = 1'

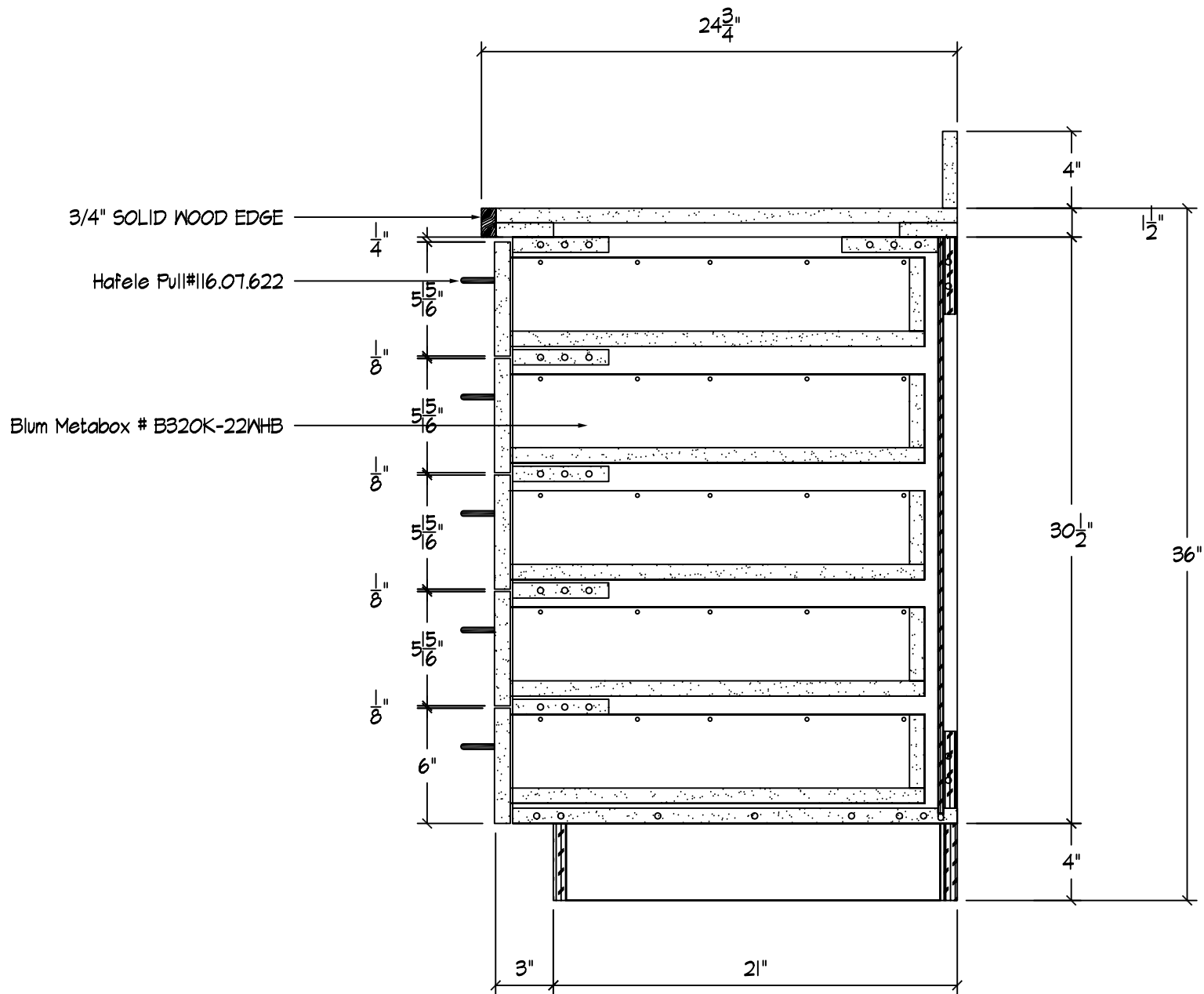
NOTE:
PL-1=WILSONART"INDIGO"D379



NOTE:

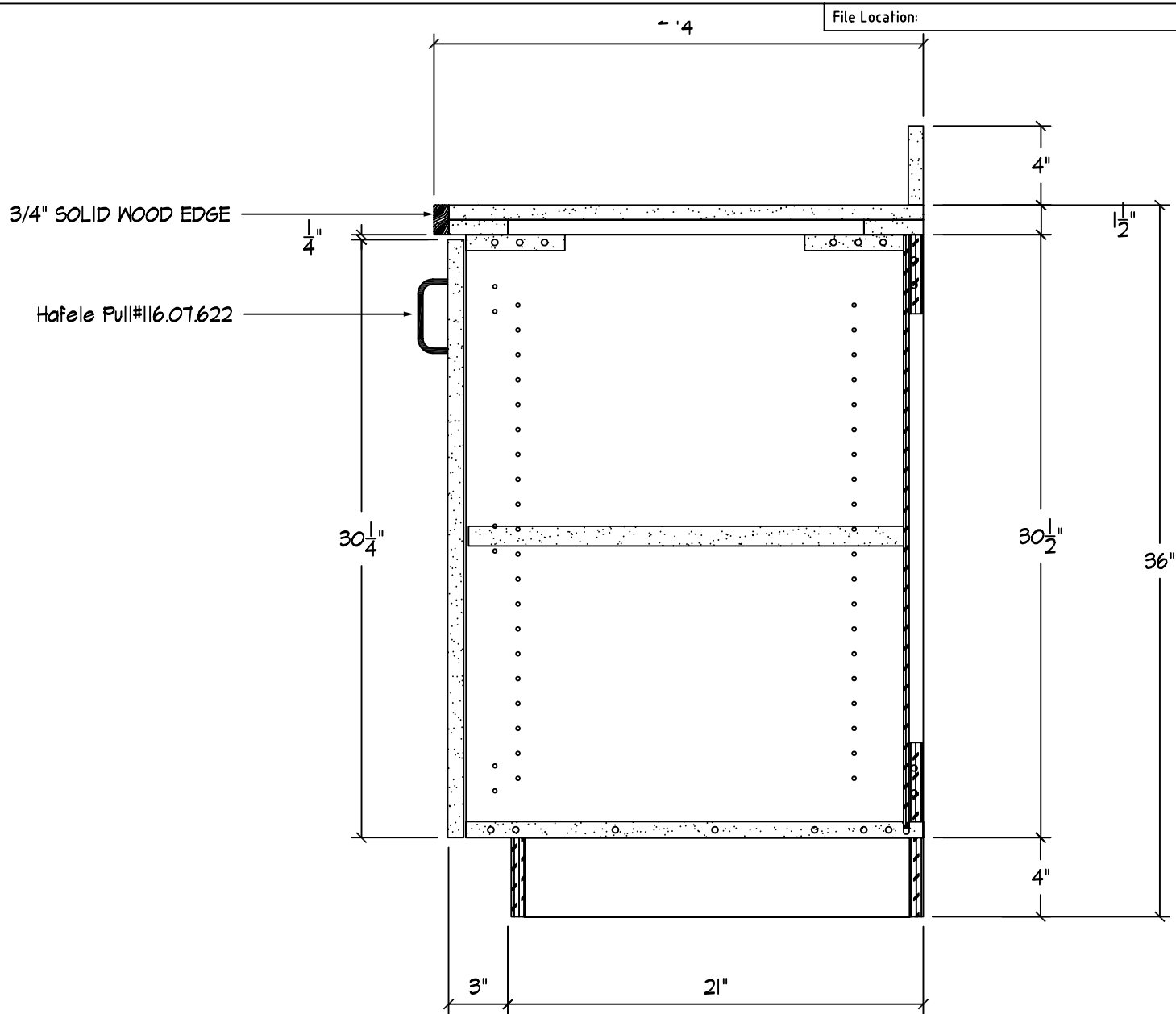
PL2=WILSONART #PEPERDUST D327

Drawn by CCC	Designer or Architect	Checked by Your Manager	Revision - date 00/00/00	File name TURNER09	Date 00/00/00
Your Company Name			Project Name Here		
			ELEVATIONS	Sheet 4 OF 9	Scale 3/4' = 1'



A
SECTION
1-1/2" = 1'-0"

Drawn by CCC	Designer or Architect	Checked by Your Manager	Revision - date 00/00/00	File name TURNER09	Date 00/00/00
Your Company Name			Project Name Here		
			SECTIONS	Sheet 5 OF 9	Scale 1-1/2'=1'



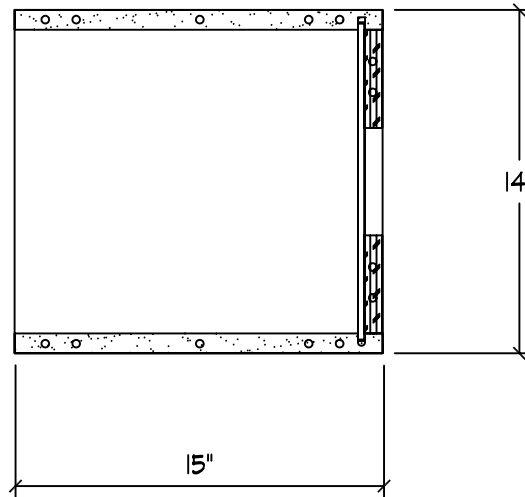
A
5-2

SECTION

1-1/2" = 1'-0"

ARCH REF.

Drawn by CCC	Designer or Architect	Checked by Your Manager	Revision - date 00/00/00	File name TURNER09	Date 00/00/00
Your Company Name			Project Name Here		
			SECTIONS	Sheet 6 OF 9	Scale 1-1/2'=1'



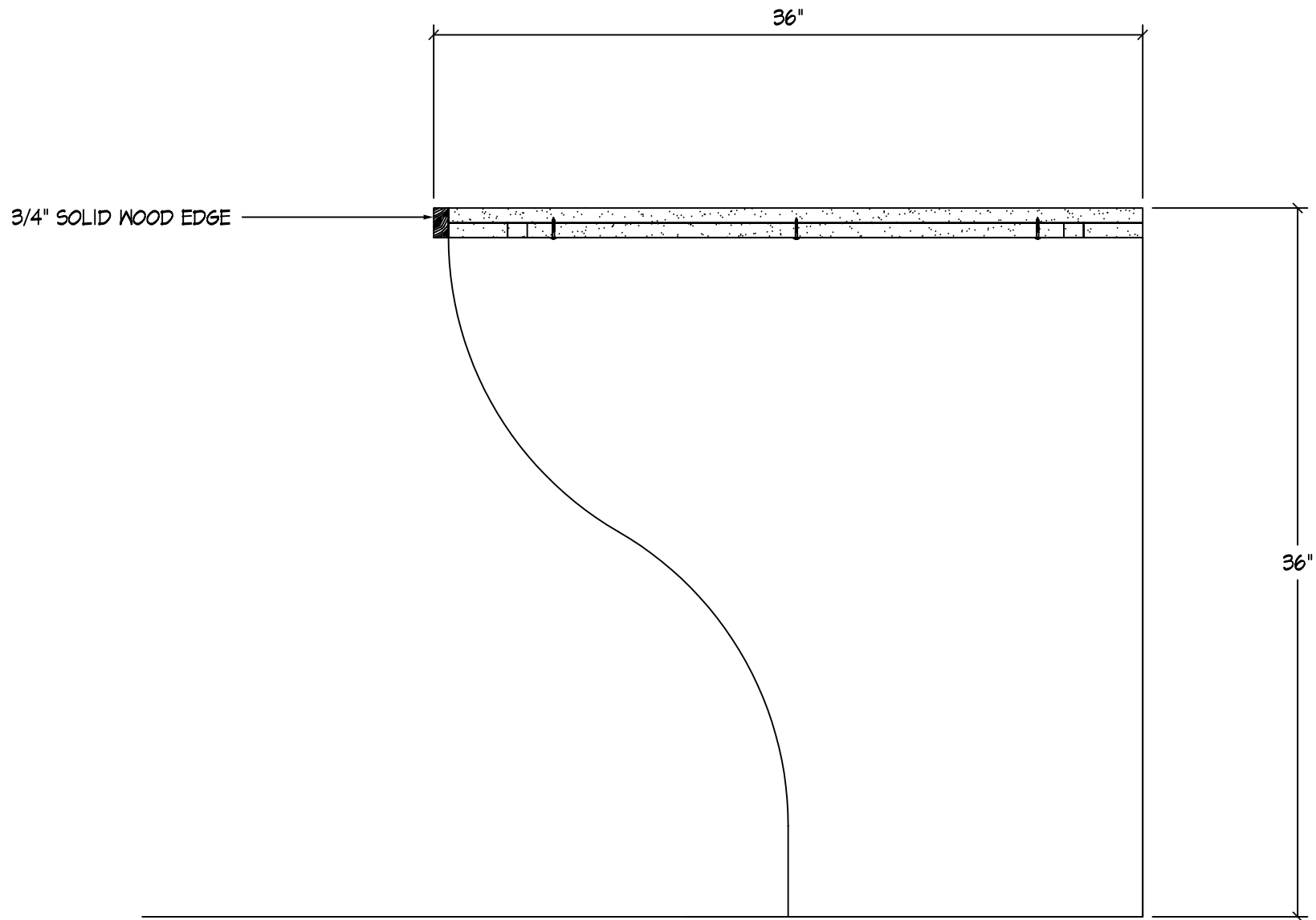
A
S-3

SECTION

1-1/2" = 1'-0"

ARCH REF.

Drawn by CCC	Designer or Architect	Checked by Your Manager	Revision - date 00/00/00	File name TURNER09	Date 00/00/00
Your Company Name			Project Name Here		
			SECTIONS	Sheet 7 OF 9	Scale 1-1/2'=1'



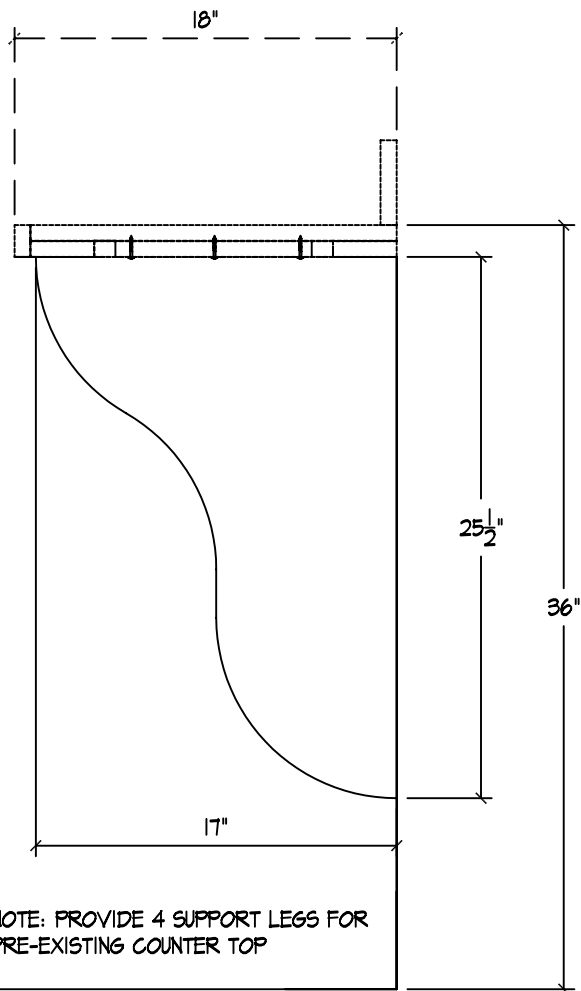
A
S-4

SECTION

1-1/2" = 1'-0"

ARCH REF.

Drawn by CCC	Designer or Architect	Checked by Your Manager	Revision - date 00/00/00	File name TURNER09	Date 00/00/00
Your Company Name			Project Name Here		
			SECTIONS	Sheet 8 OF 9	Scale 1-1/2'=1'



A
5-5

SECTION

1-1/2" = 1'-0"

ARCH REF.

Drawn by CCC	Designer or Architect	Checked by Your Manager	Revision - date 00/00/00	File name TURNER09	Date 00/00/00
Your Company Name			Project Name Here		
			SECTIONS	Sheet 9 OF 9	Scale 1-1/2'=1'